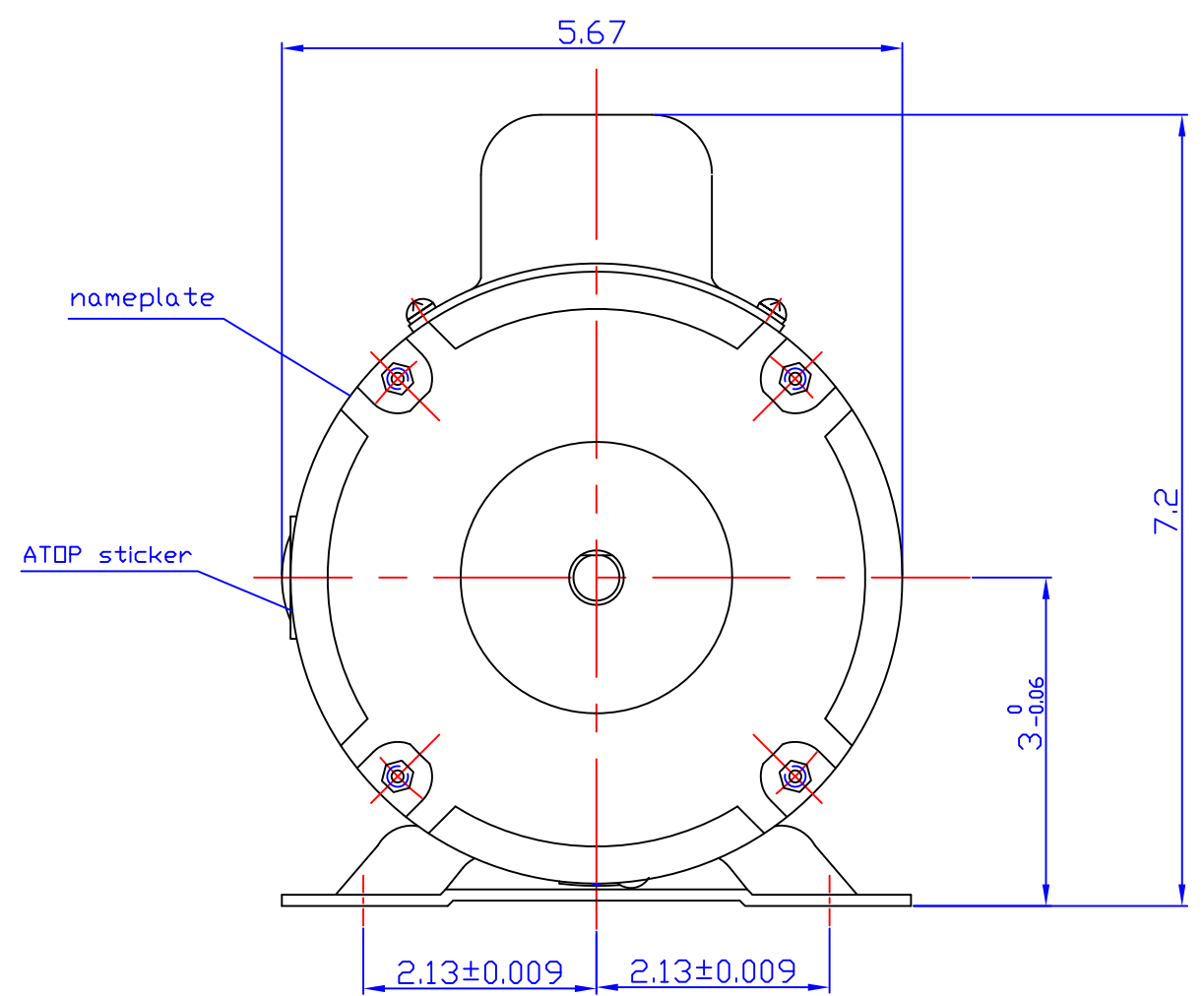
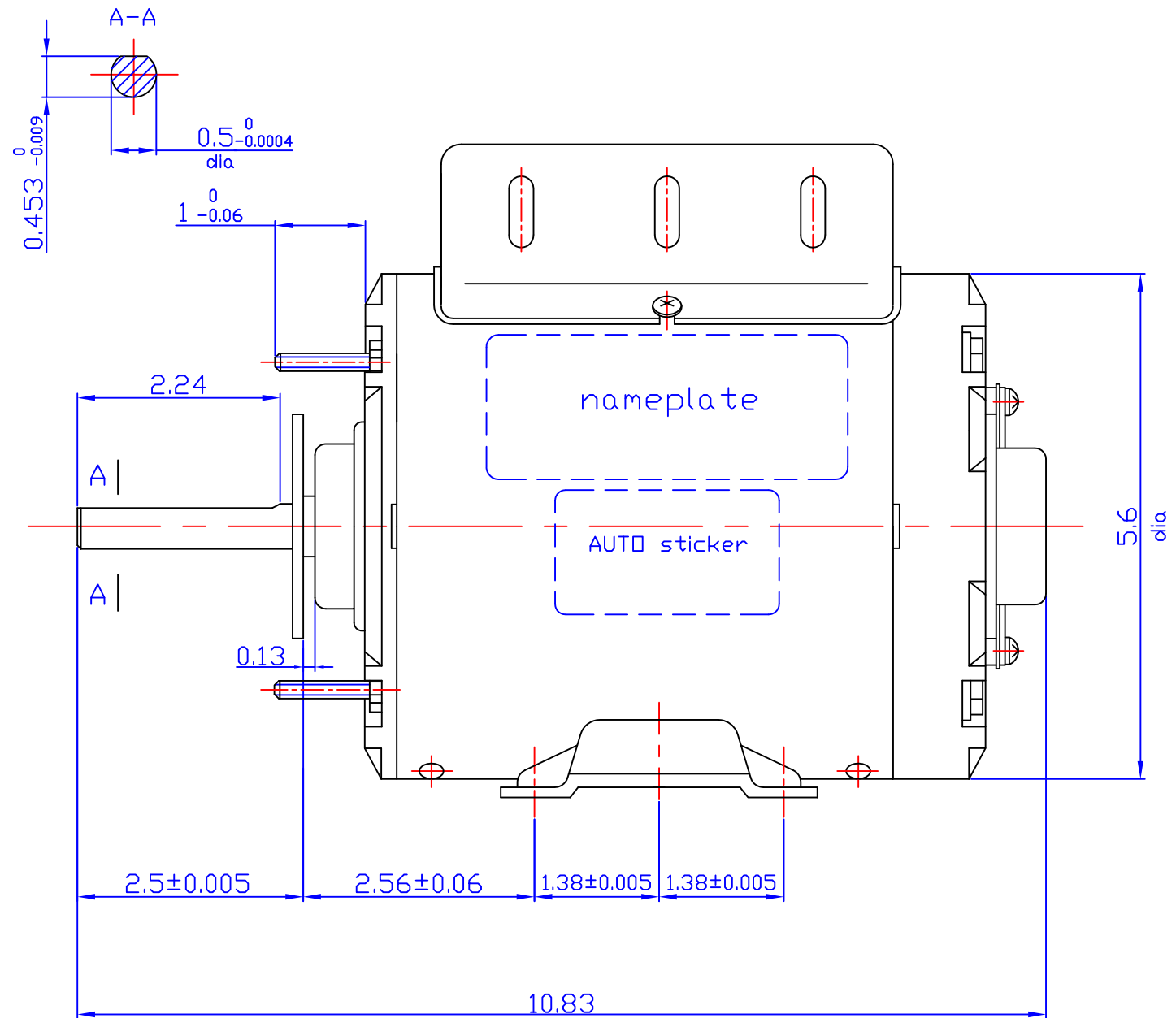


REV	ECO	REV BY	DATE	APPD	DATE



AGI IND#	FRAME	Pole	PH	RPM	HP	Hz	Volt	thermal protector
F260	48	6	1	1075	1/4	60	115/230	MEG69RX

DR BY:

APPD:

FIRST ANGLE PROJECTION

EDS DATE
VERSION

CONFIDENTIAL PROPERTY OF GW ELECTRIC (SHANGHAI) CORPORATION AND ARE NOT TO BE DISCLOSED, DUPLICATED, OR OTHERWISE USED WITHOUT THE WRITTEN CONSENT OF GW ELECTRIC (SHANGHAI) CORPORATION, OR ITS AGENT, AG-I MOTORTEC INC. - ALL RIGHTS RESERVED

AG-I MOTORTEC INC. ,

DESCRIPTION

F260 WITH RIGID BASE OUTLINE

SIZE	DWG NO
A3	
SCALE	SHEET