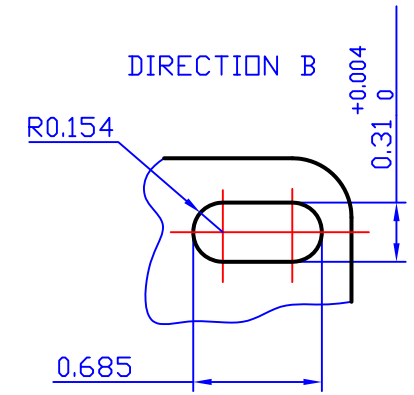
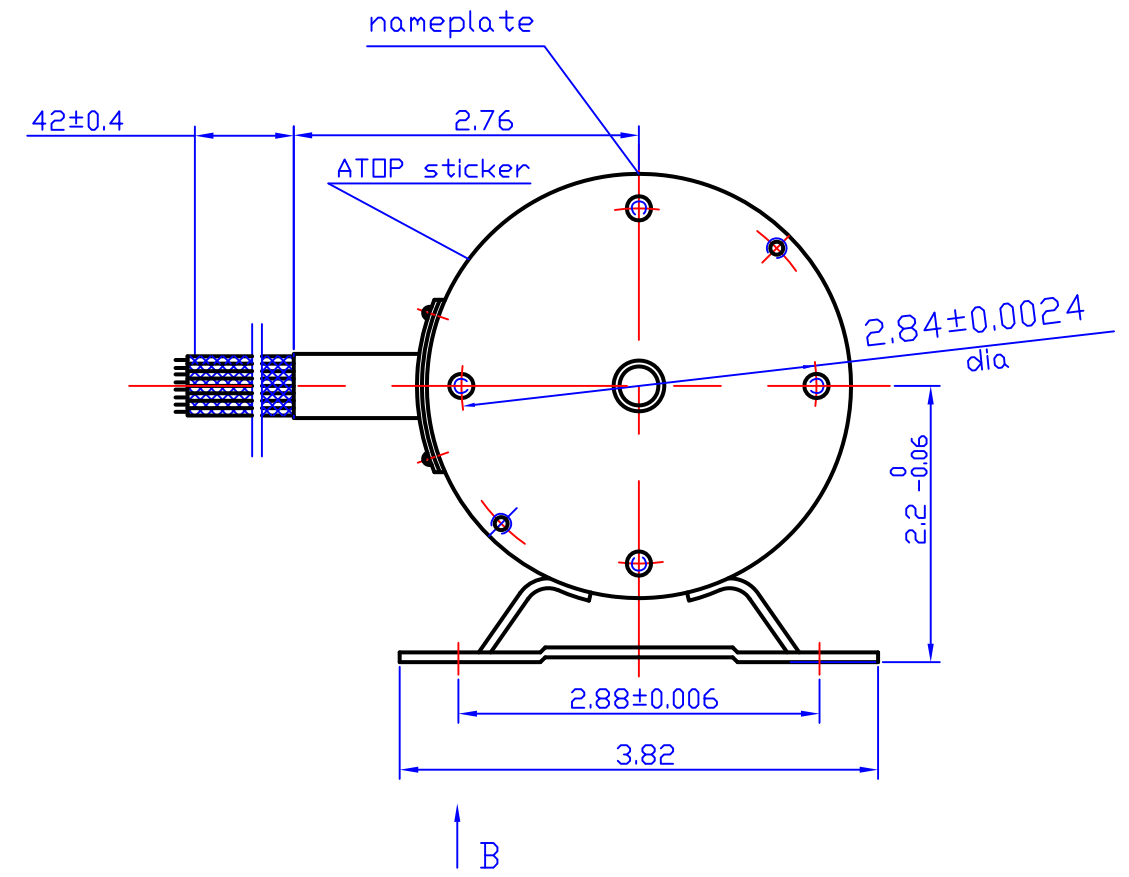
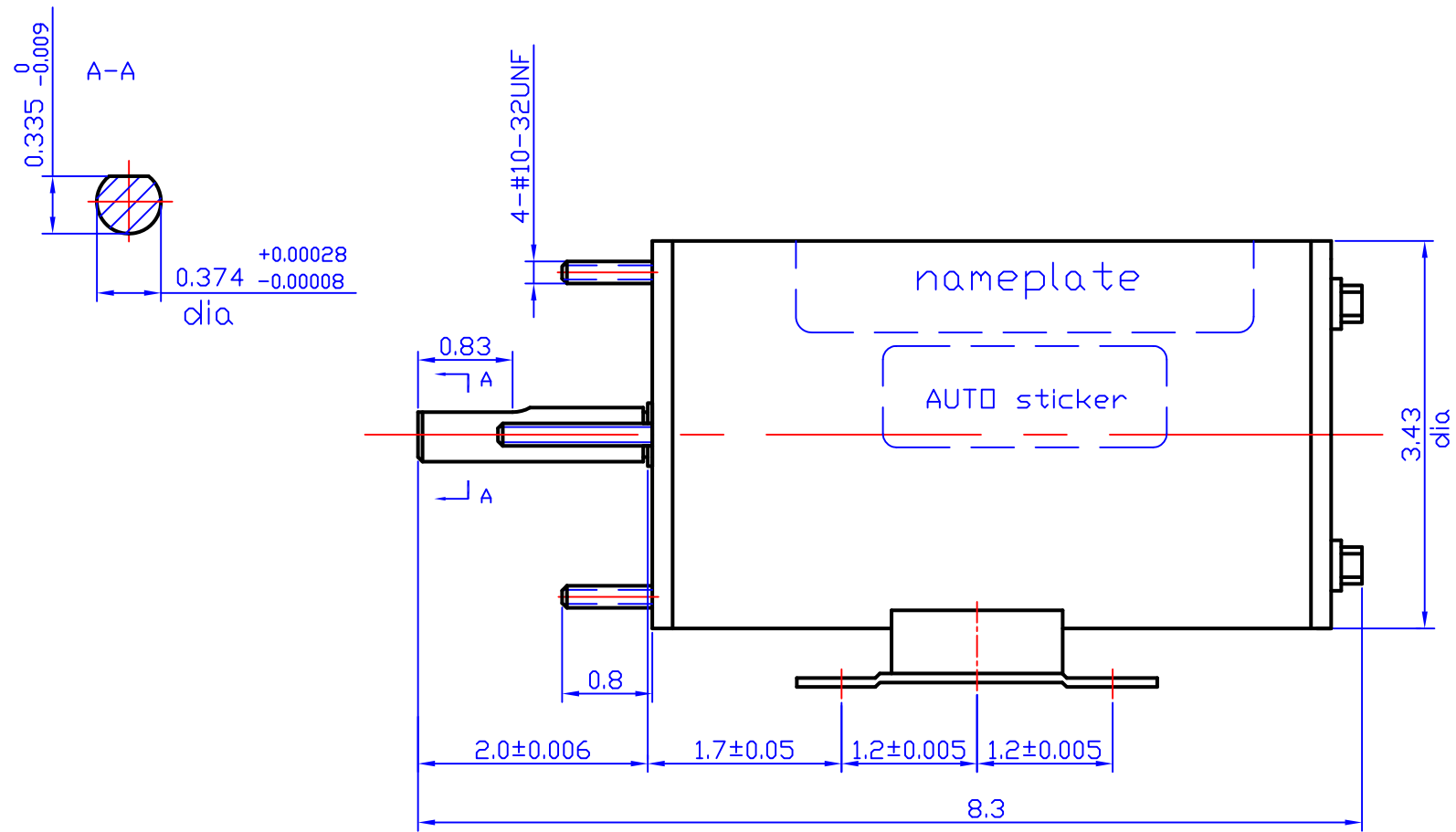
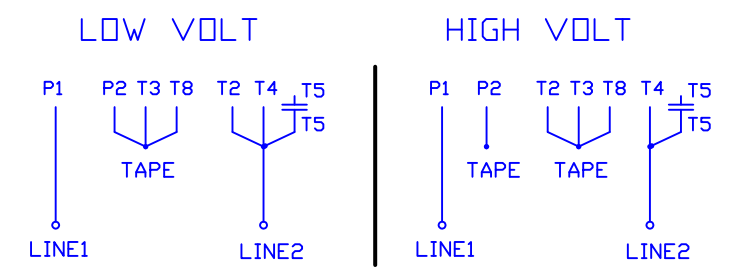


REV	ECO	REV BY	DATE	APPD	DATE
					1.23.2015



REF.NO.	IND#	FRAME	PH	HP	Hz	Volt	thermal protector	rotation	capacitor
F162DN3MA00	F217	34	1	1/6	50/60	115/230	7AM031(120°C)	CCWLE	5MFD

Wiring Diagram



DR BY:	Candy
APPD:	
FIRST ANGLE PROJECTION	EDS DATE VERSION
CONFIDENTIAL PROPERTY OF GW ELECTRIC (SHANGHAI) CORPORATION AND ARE NOT TO BE DISCLOSED, DUPLICATED, OR OTHERWISE USED WITHOUT THE WRITTEN CONSENT OF GW ELECTRIC (SHANGHAI) CORPORATION, OR ITS AGENT, AG-I MOTORTEC INC. - ALL RIGHTS RESERVED	



AG-I MOTORTEC INC.,

DESCRIPTION  
F217 OUTLINE

SIZE	A3	DWG NO	
SCALE	1:1.5	SHEET	