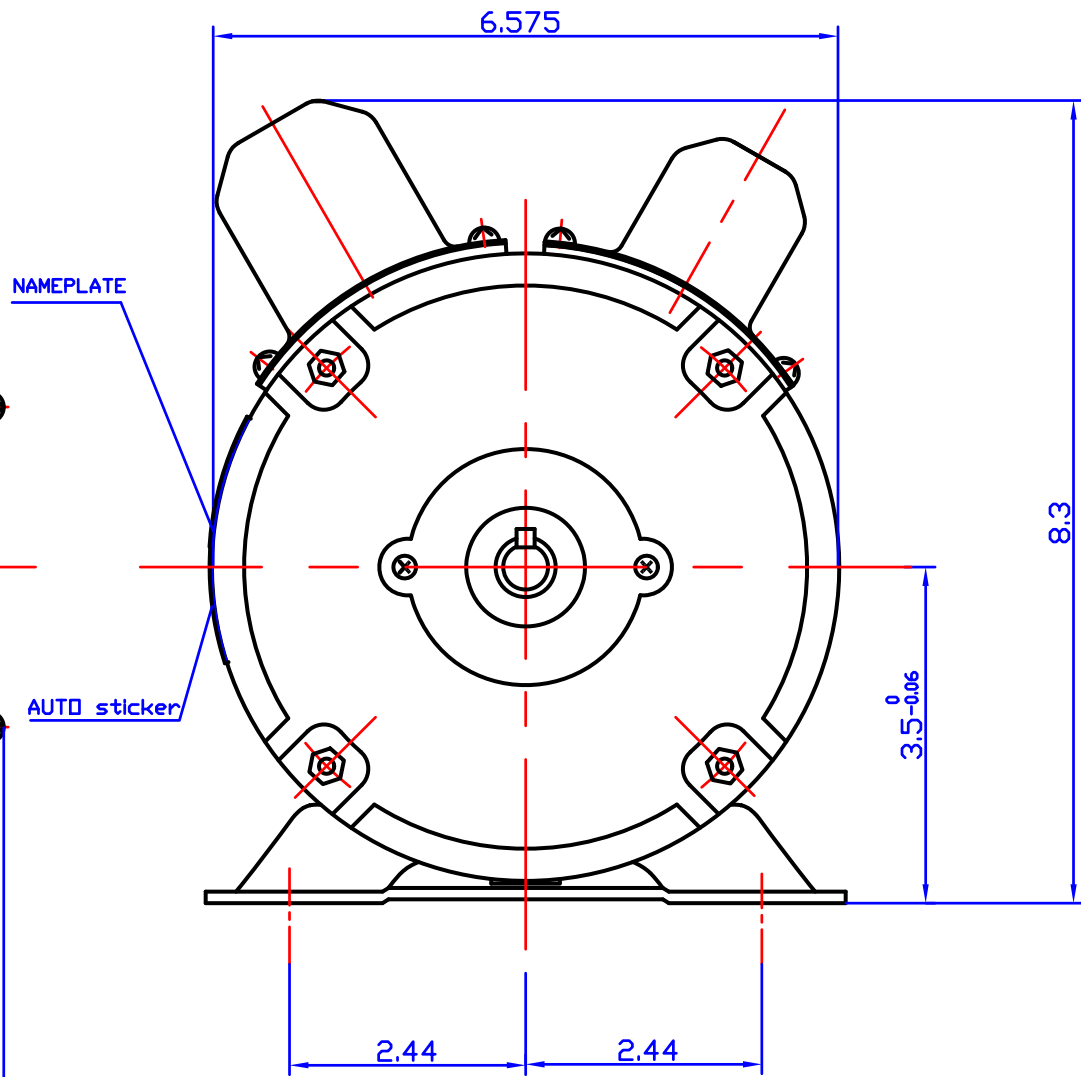
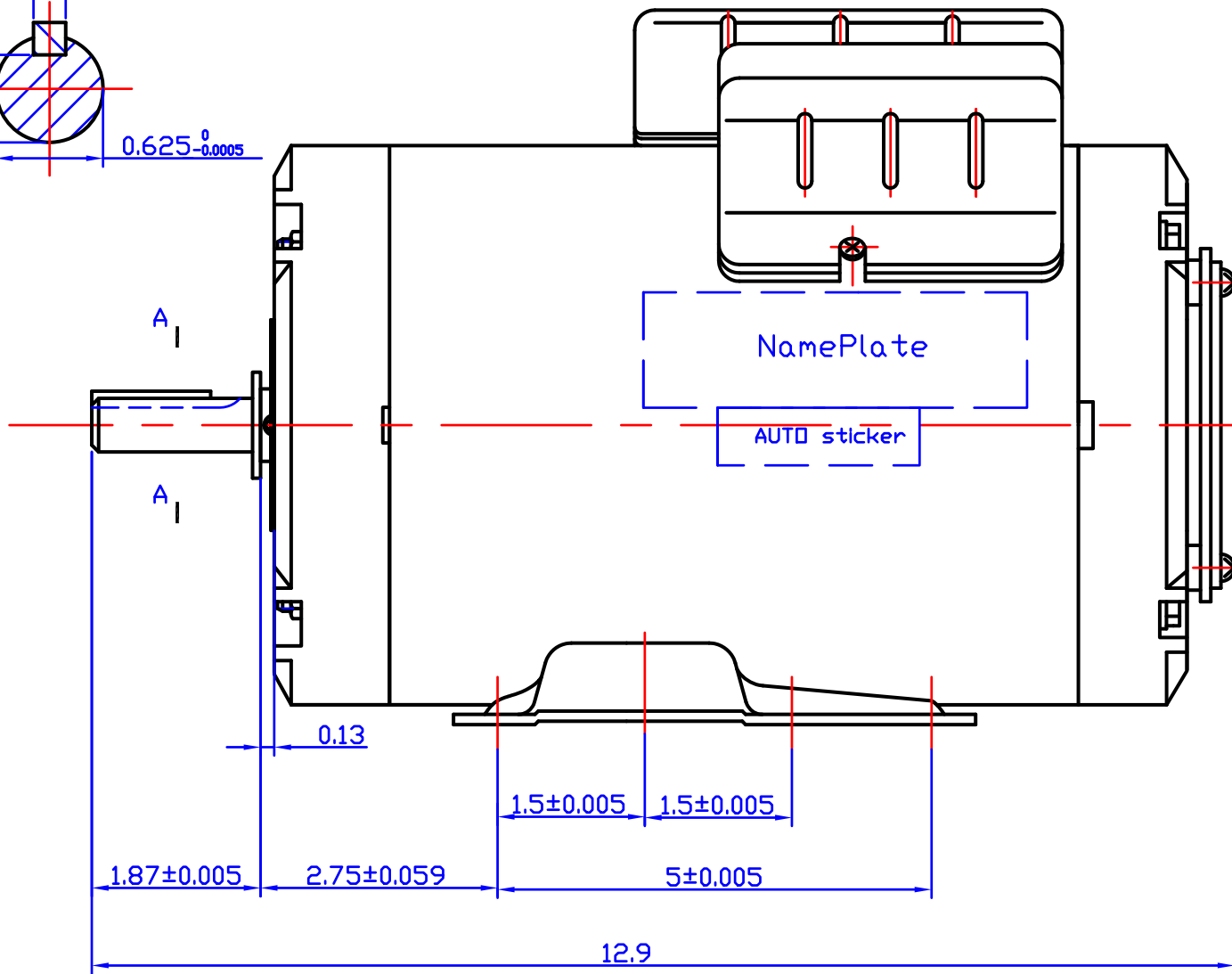
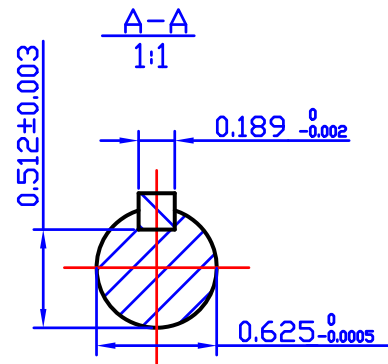


REV	ECO	REV BY	DATE	APPD	DATE



IND#	FRAME	PH	HP	RPM	Hz	Volt	thermal protector	S.F	INSL.	BEARING
F161	56	1	1.0	1150	60	115/208-230	AUTO.	1.0	F	6205 & Locked

FARM DUTY		IND# F161					TEAO
HP 1.0	REF. NO. K106DA5BAP5	V 115	V 208-230		V 208-230		
HZ 60	RPM 1150	P.F. 75	FLA 10.6	FLA 5.4-5.3			
PH 1	AUTO THERMALLY PROTECTED	MEJ28RX	EFF% 76	SFA	SFA		
FRAME 56	DUTY CONT.	DES.	P1 P2 T3 T8 T2 T4 T5		P1 P2 T2 T3 T8 T4 T5		
TYPE K	MAX. AMB. °C 40	S.F. 1.0	L1 L2		L1 L2		
DATE	INS. CLASS F	CODE	C.C.W. ROTATION FACING LEAD END. INTERCHANGE LEADS T5 & T8 FOR C.W.		GW ELECTRIC (SHA) Made in China		

AG-I MotorTec Inc., East Garafraxa, ON, Canada L9W 7L8

DR BY: Xiaoli Ma

APPD:

FIRST ANGLE PROJECTION

EDS DATE 3.12.2024
VERSION

CONFIDENTIAL PROPERTY OF GW ELECTRIC (SHANGHAI) CORPORATION AND ARE NOT TO BE DISCLOSED, DUPLICATED, OR OTHERWISE USED WITHOUT THE WRITTEN CONSENT OF GW ELECTRIC (SHANGHAI) CORPORATION, OR ITS AGENT, AG-I MOTORTEC INC. - ALL RIGHTS RESERVED



AG-I MOTORTEC INC.,

DESCRIPTION

F161 OUTLINE

SIZE A3 DWG NO

SCALE 1:1.5

SHEET