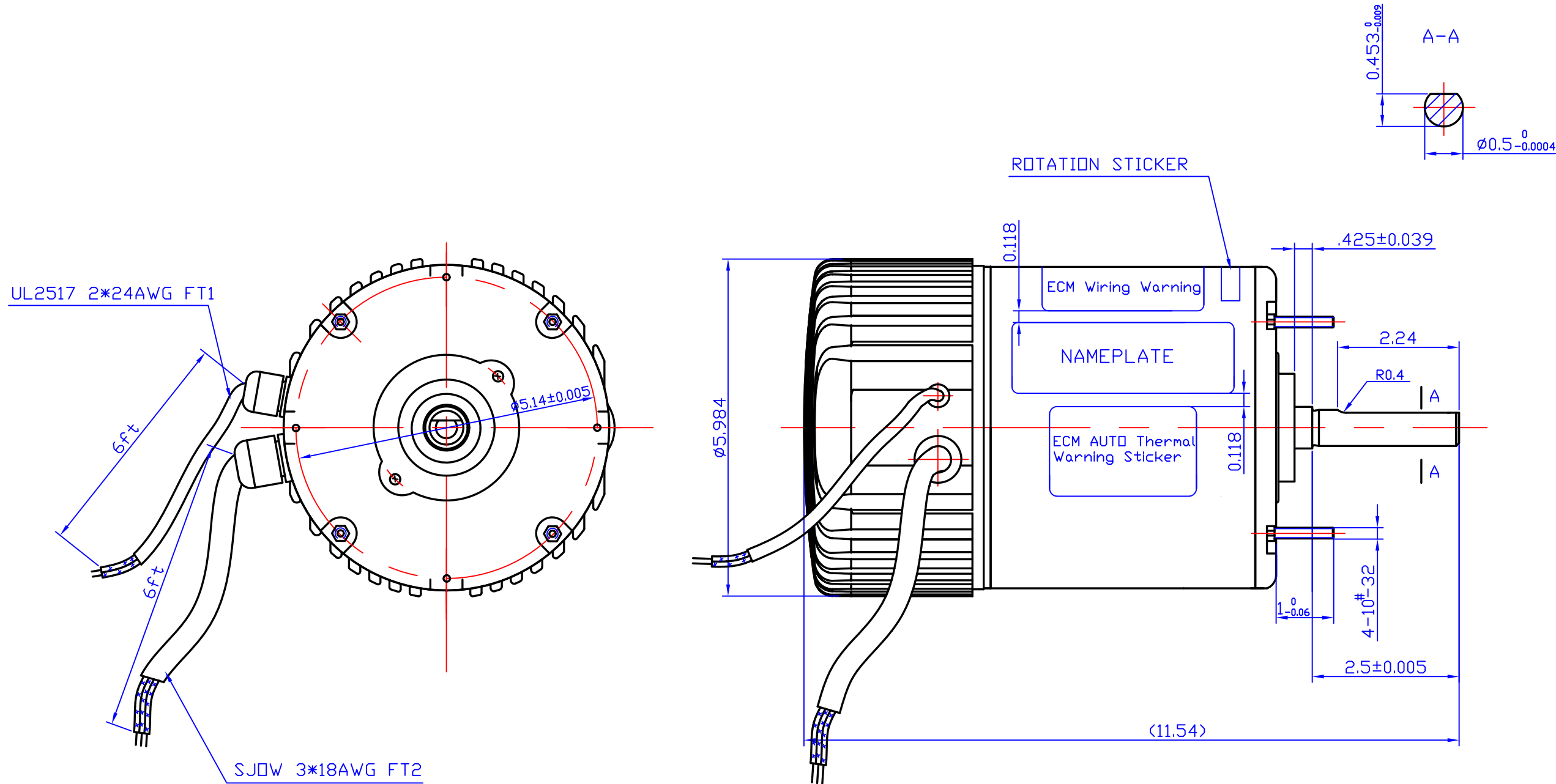

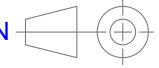


REV	ECO	REV BY	DATE	APPD	DATE



IND#	Model Number	HP	VOLTS	FRAME	Hz	RPM	EFF
EC986	ECN48B12BN/EC10V-D	1/2	115/230	48	50/60	450-1800	85.1%

DR BY:		 AG-I MOTORTEC INC. ,
APPD:		
FIRST ANGLE PROJECTION 	EDS DATE VERSION	DESCRIPTION EC986 OUTLINE
CONFIDENTIAL PROPERTY OF GW ELECTRIC (SHANGHAI) CORPORATION AND ARE NOT TO BE DISCLOSED, DUPLICATED, OR OTHERWISE USED WITHOUT THE WRITTEN CONSENT OF GW ELECTRIC (SHANGHAI) CORPORATION, OR ITS AGENT, AG-I MOTORTEC INC. - ALL RIGHTS RESERVED		SIZE A3
		DWG NO
SCALE 1:2		SHEET