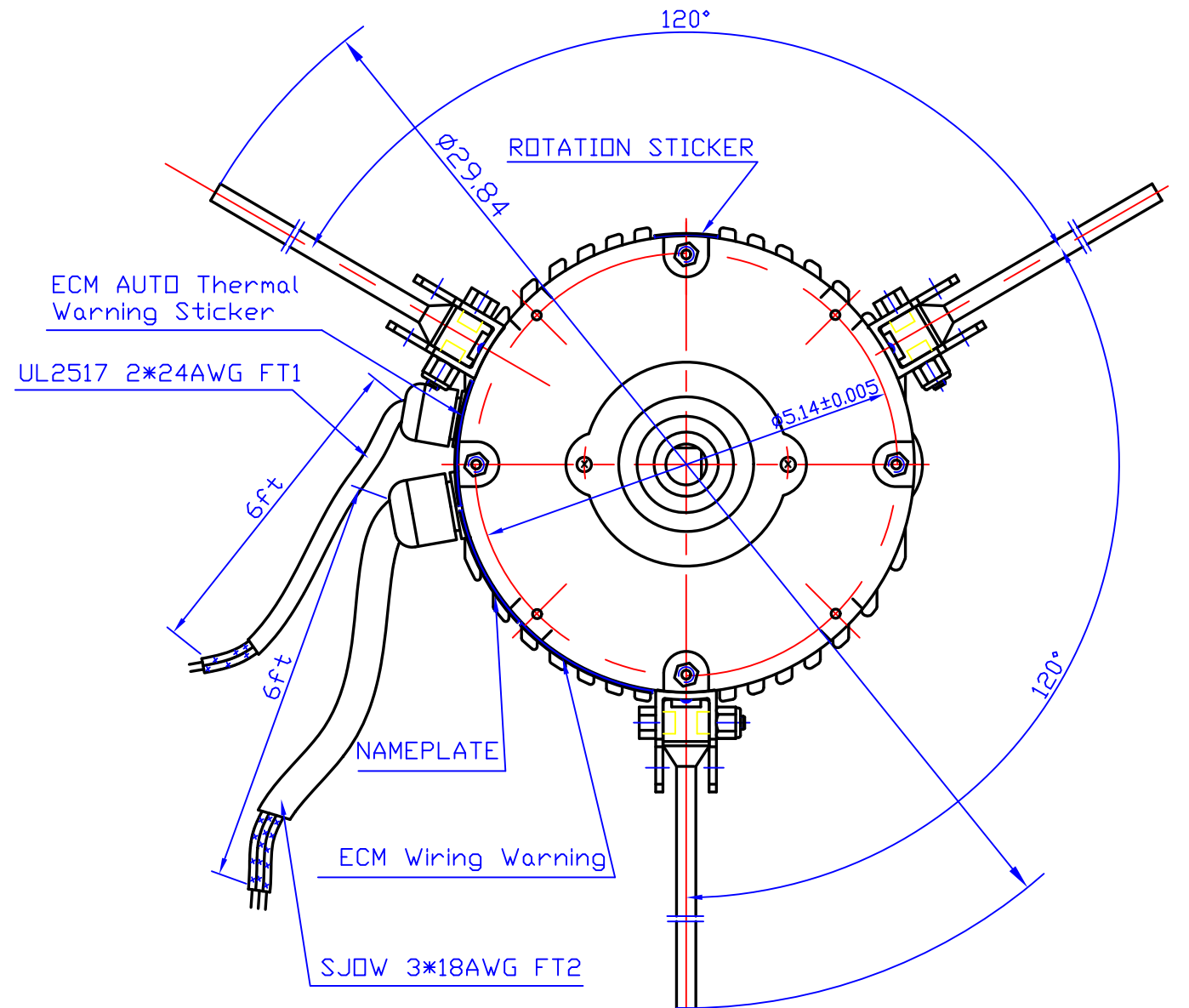
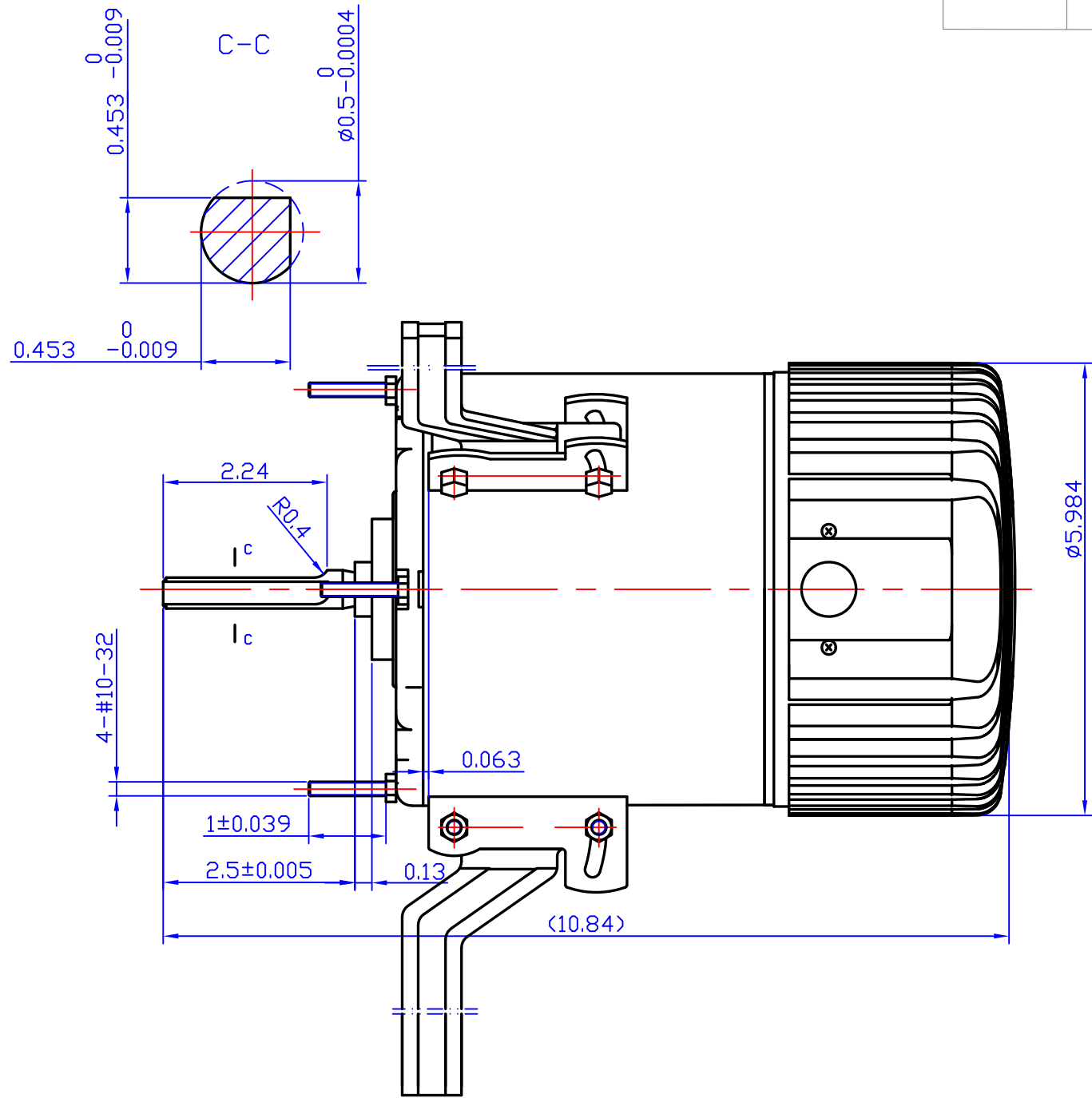


REV	ECO	REV BY	DATE	APPD	DATE



IND#	Model Number	HP	VOLTS	FRAME	Hz	RPM	EFF
EC911	ECN48B12BN/EC10V-B	1/2	115/230	48Y	50/60	450-1800	85.1%

DR BY:
APPD:



AG-I MOTORTEC INC.,

FIRST ANGLE PROJECTION

EDS DATE
VERSION

DESCRIPTION

EC911 OUTLINE

CONFIDENTIAL PROPERTY OF GW ELECTRIC (SHANGHAI) CORPORATION AND ARE NOT TO BE DISCLOSED, DUPLICATED, OR OTHERWISE USED WITHOUT THE WRITTEN CONSENT OF GW ELECTRIC (SHANGHAI) CORPORATION, OR ITS AGENT, AG-I MOTORTEC INC. - ALL RIGHTS RESERVED

SIZE A3 DWG NO

SCALE 1:2

SHEET