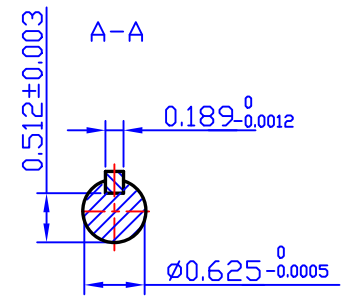
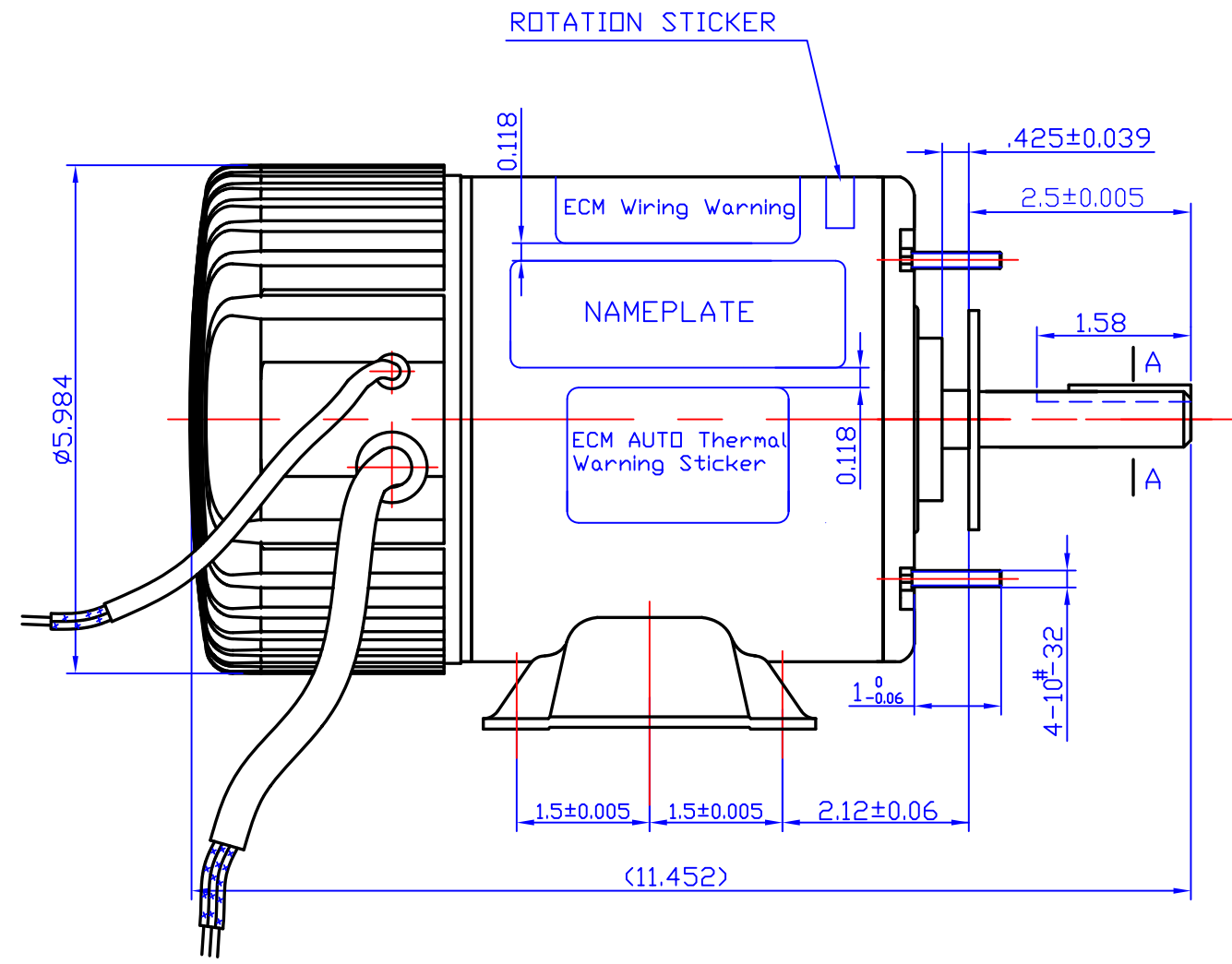
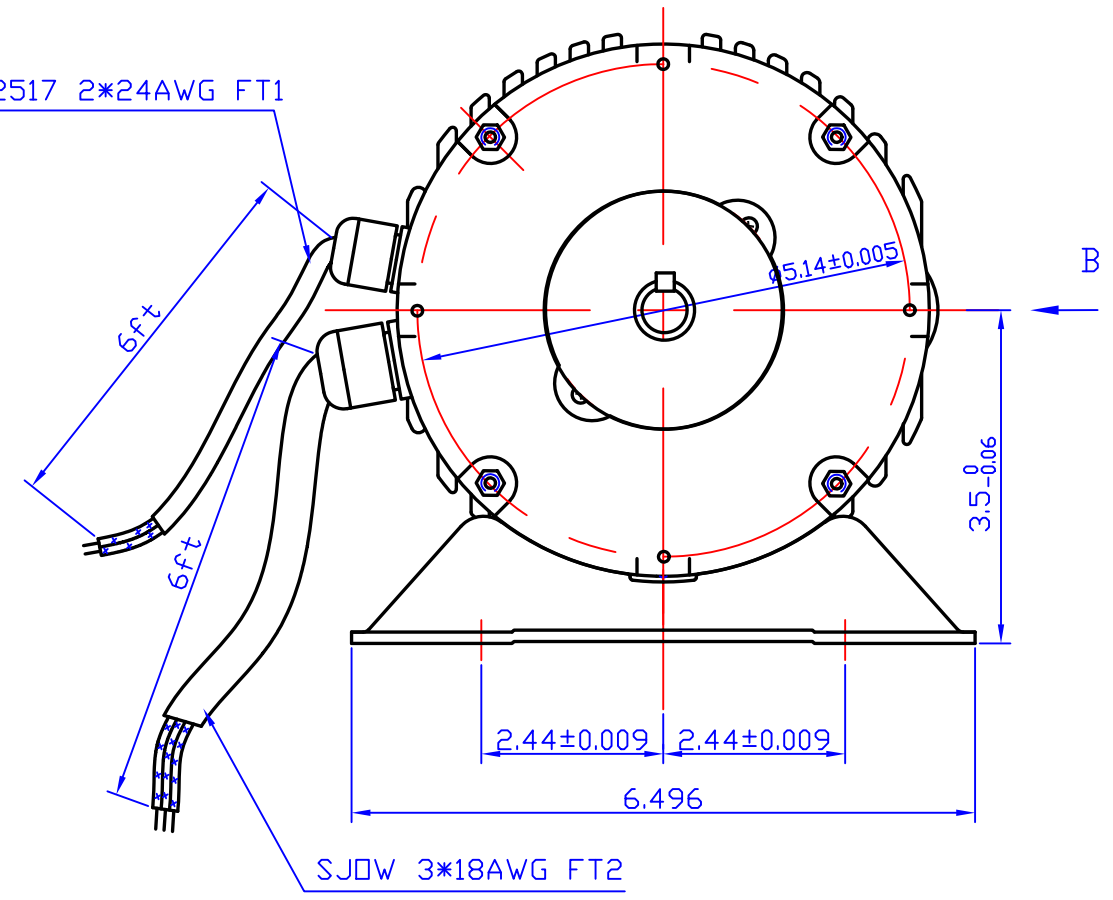


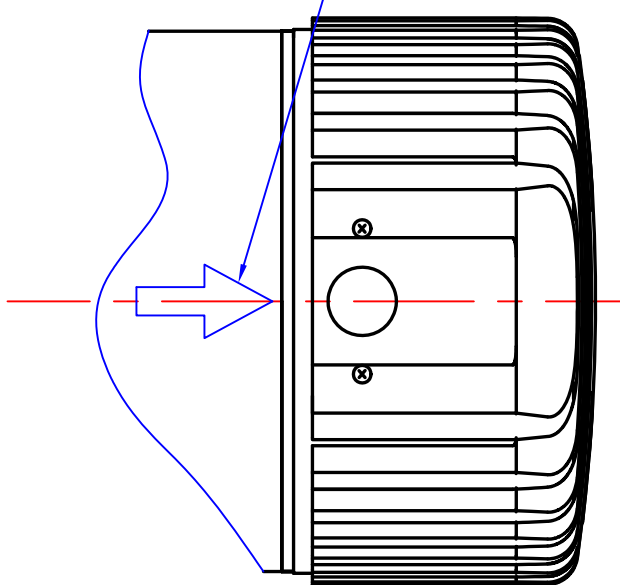
REV	ECO	REV BY	DATE	APPD	DATE



UL2517 2*24AWG FT1



B Voltage switch selection sticker



Model Number	W	VOLTS	FRAME	Hz	RPM	Rotation CW facing shaft
ECN48B34CN/EC10V-C1	550	115/208-230	S56	50/60	400-1200	

DR BY:
 APPD:
 FIRST ANGLE PROJECTION EDS DATE
 VERSION
 CONFIDENTIAL PROPERTY OF GW ELECTRIC (SHANGHAI) CORPORATION AND ARE NOT TO BE DISCLOSED, DUPLICATED, OR OTHERWISE USED WITHOUT THE WRITTEN CONSENT OF GW ELECTRIC (SHANGHAI) CORPORATION, OR ITS AGENT, AG-I MOTORTEC INC. - ALL RIGHTS RESERVED



AG-I MOTORTEC INC.,

DESCRIPTION	
EC847	
SIZE	DWG NO
A3	
SCALE	SHEET
1:2	