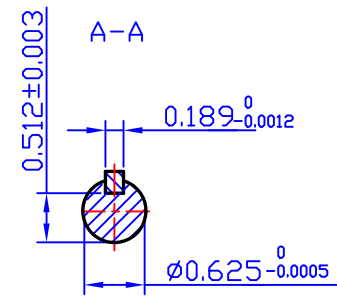
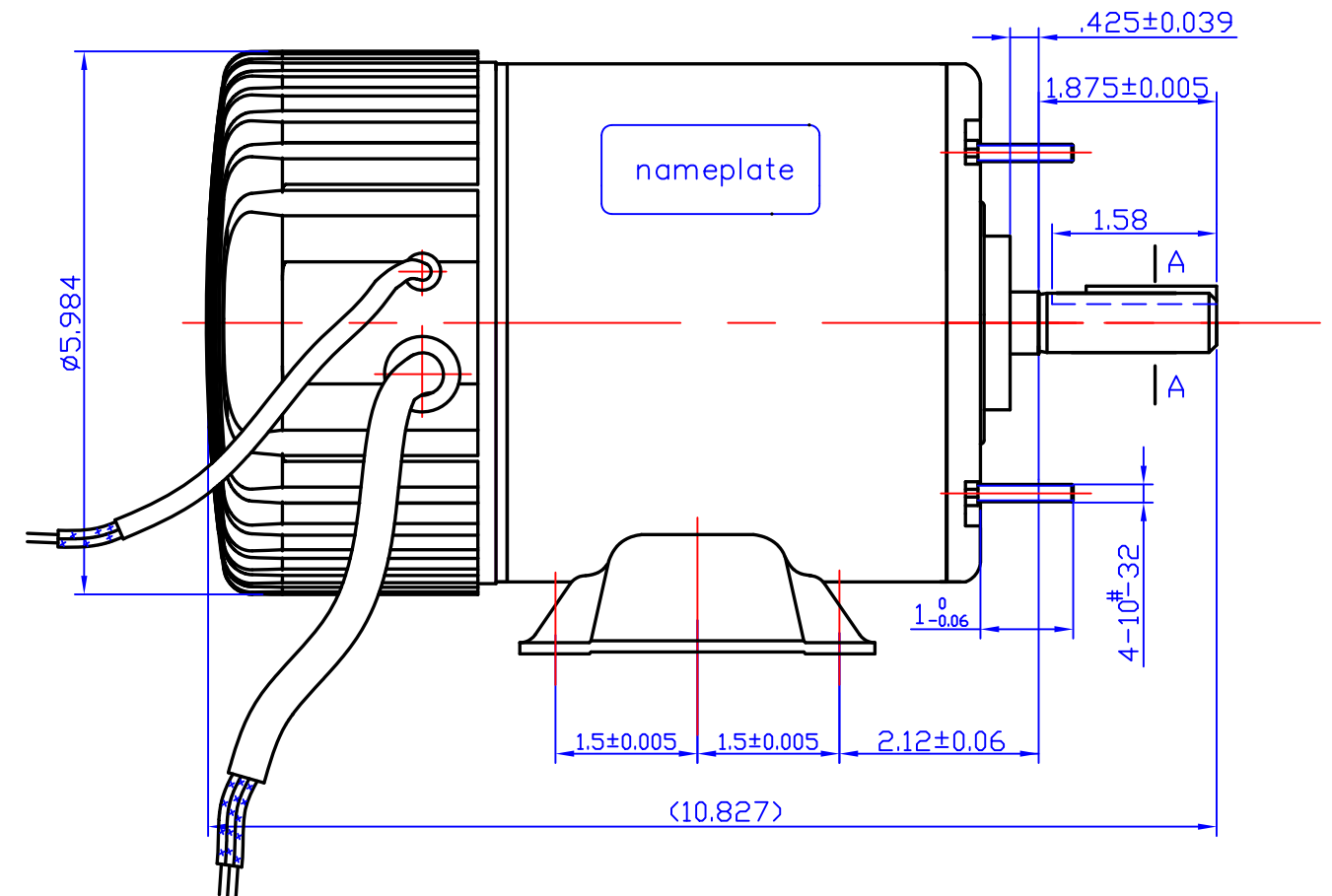
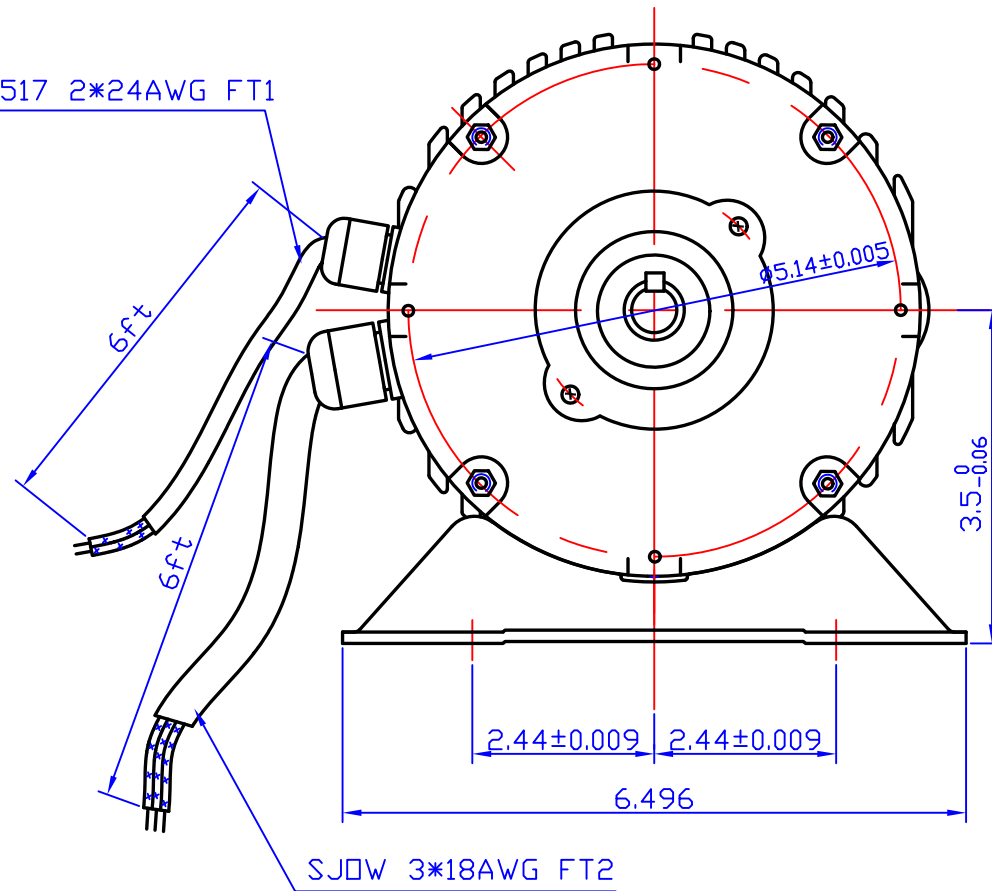


REV	ECO	REV BY	DATE	APPD	DATE



UL2517 2*24AWG FT1



IND#	Model Number	W	VOLTS	FRAME	Hz	RPM	Rotation CCW facing shaft
EC537	ECN48B10CN/EC10V-C1	735	115/230	S56	50/60	300-900	

DR BY:
APPD:

FIRST ANGLE PROJECTION EDS DATE
VERSION

CONFIDENTIAL PROPERTY OF GW ELECTRIC (SHANGHAI) CORPORATION AND ARE NOT TO BE DISCLOSED, DUPLICATED, OR OTHERWISE USED WITHOUT THE WRITTEN CONSENT OF GW ELECTRIC (SHANGHAI) CORPORATION, OR ITS AGENT, AG-I MOTORTEC INC. - ALL RIGHTS RESERVED



AG-I MOTORTEC INC.,

DESCRIPTION

OUTLINE

SIZE A3 DWG NO

SCALE 1:2

SHEET