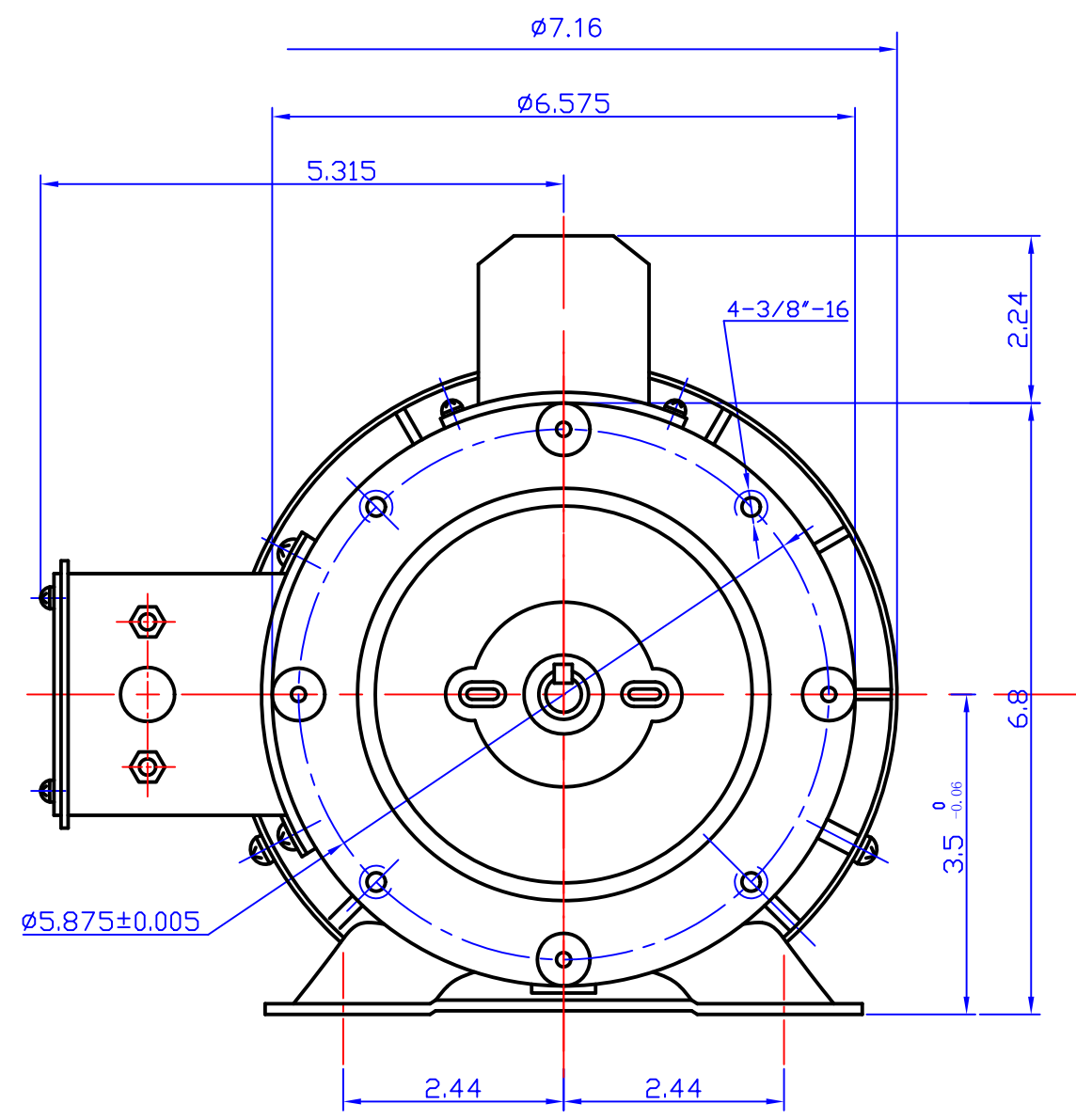
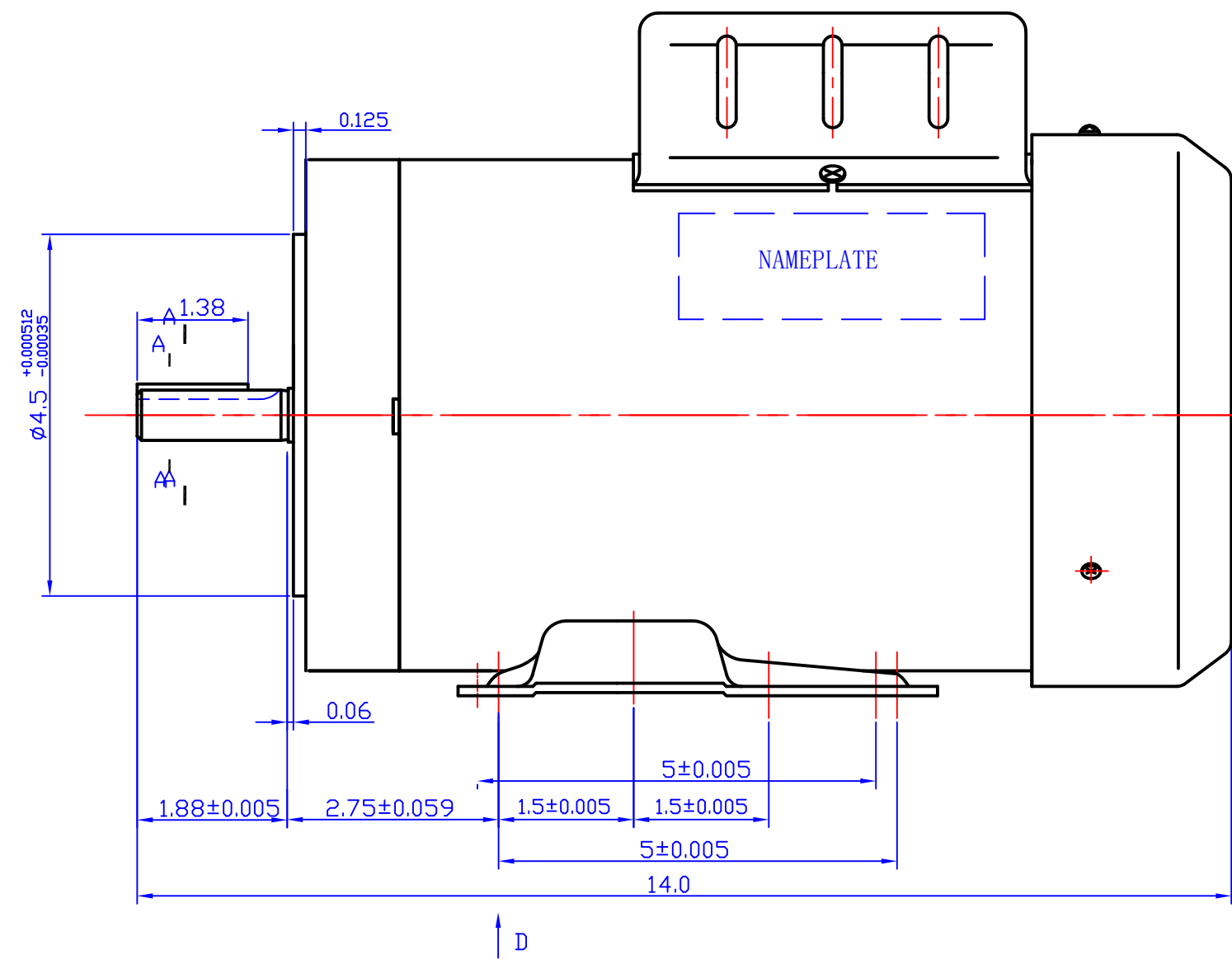
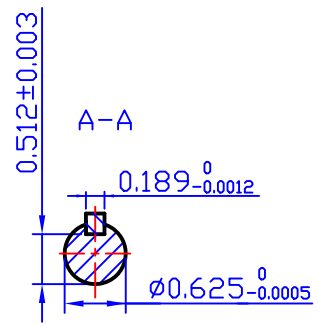
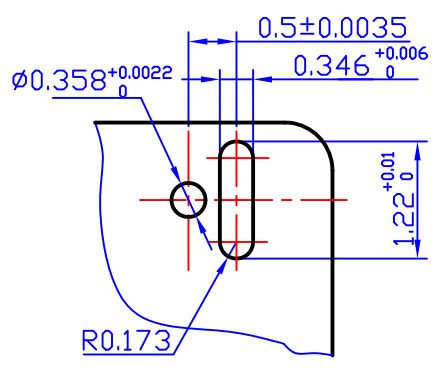


REV	ECO	REV BY	DATE	APPD	DATE



DIRECTION D



IND#	VOLTS	Hz	HP	RPM	PH	FRAME	Thermally Protected
C402C	115/230V	60	2HP	3450	1	56C	MAN.

DR BY: Candy

APPD:

FIRST ANGLE PROJECTION

EDS DATE 5/7/2021  
VERSION A

CONFIDENTIAL PROPERTY OF GW ELECTRIC (SHANGHAI) CORPORATION AND ARE NOT TO BE DISCLOSED, DUPLICATED, OR OTHERWISE USED WITHOUT THE WRITTEN CONSENT OF GW ELECTRIC (SHANGHAI) CORPORATION, OR ITS AGENT, AG-I MOTORTEC INC. - ALL RIGHTS RESERVED



AG-I MOTORTEC INC.,

DESCRIPTION	
C402C OUTLINE	
SIZE	DWG NO
A3	
SCALE	SHEET
1:2	