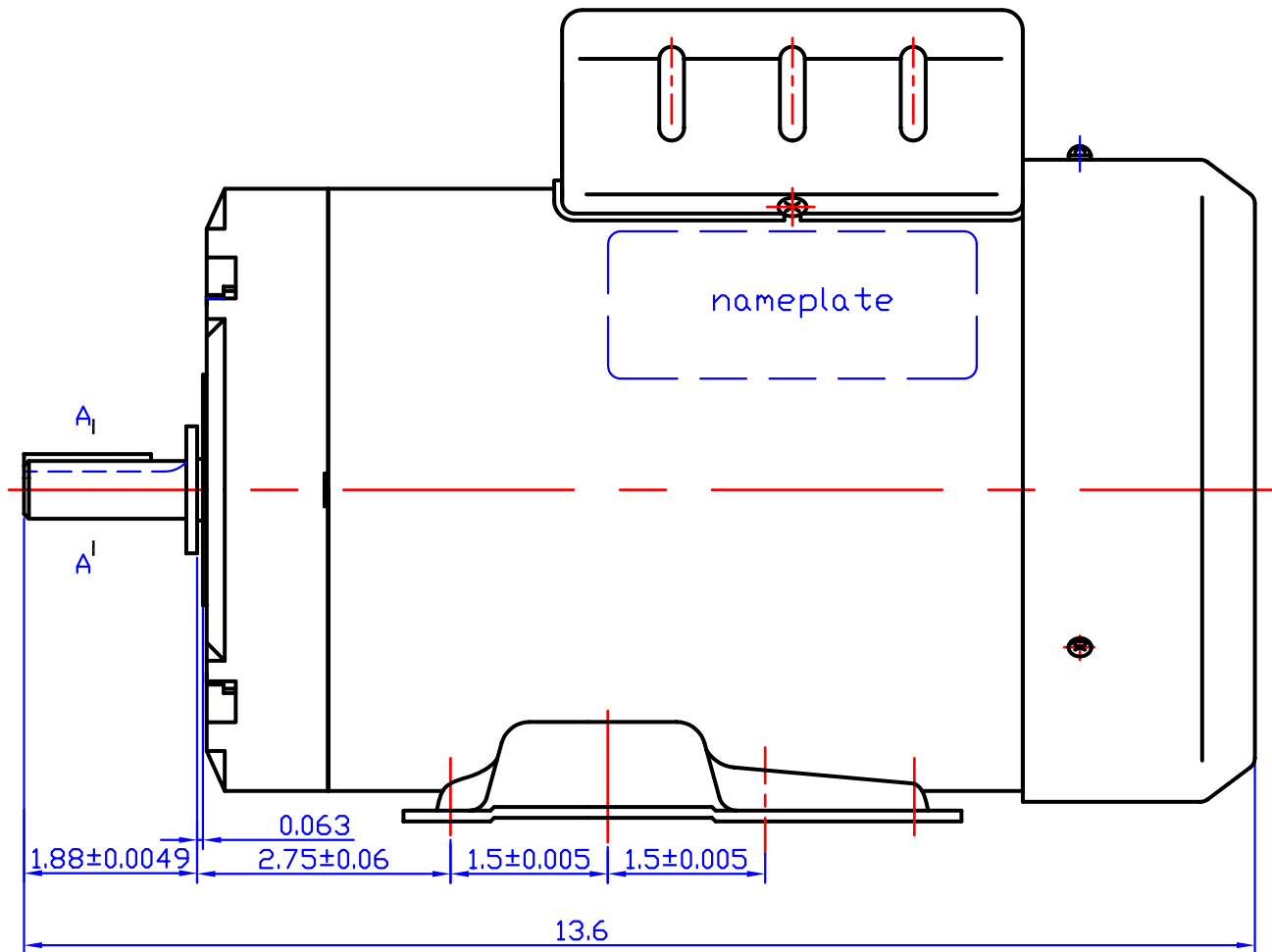
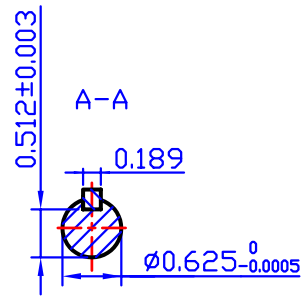
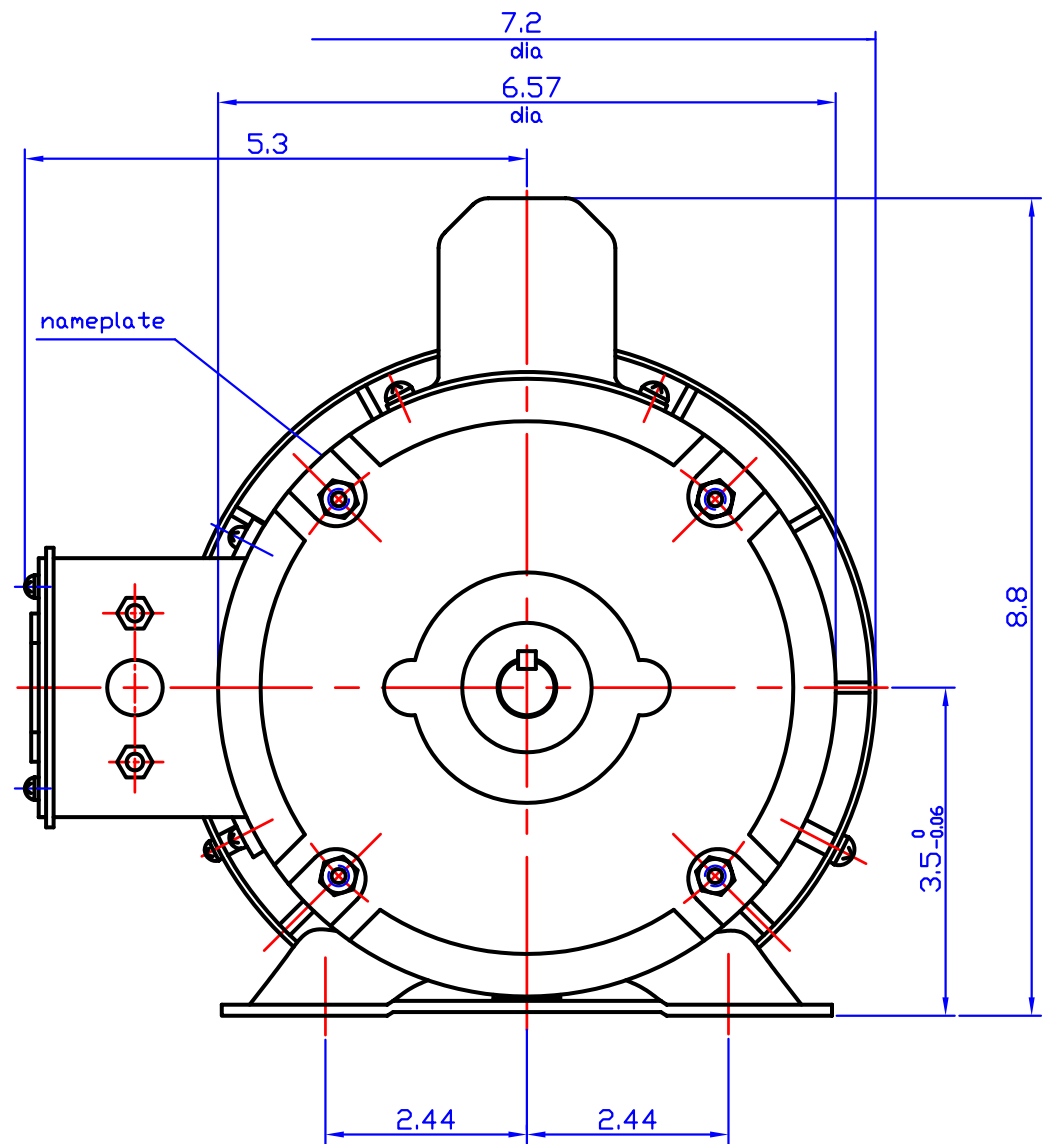
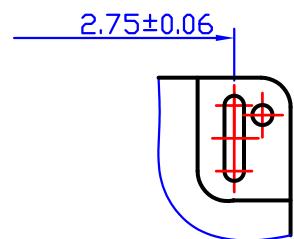


REV	ECO	REV BY	DATE	APPD	DATE
					3.31.2015

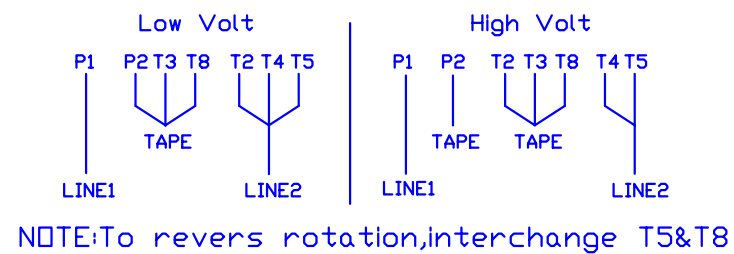


DIRECTION D



AGI REFER.NO	FRAME	PH	HP	Hz	Pole	Volt	thermal protector	RPM
C402	56	1	2	60	2	115/208-230	MAN.	3450

wiring diagram



DR BY: Candy

APPD:

FIRST ANGLE PROJECTION

CONFIDENTIAL PROPERTY OF GW ELECTRIC (SHANGHAI) CORPORATION AND ARE NOT TO BE DISCLOSED, DUPLICATED, OR OTHERWISE USED WITHOUT THE WRITTEN CONSENT OF GW ELECTRIC (SHANGHAI) CORPORATION, OR ITS AGENT, AG-I MOTORTEC INC. - ALL RIGHTS RESERVED



AG-I MOTORTEC INC.,

DESCRIPTION
AGI-006 2HP OUTLINE

SIZE A3 DWG NO

SCALE 1:2 SHEET