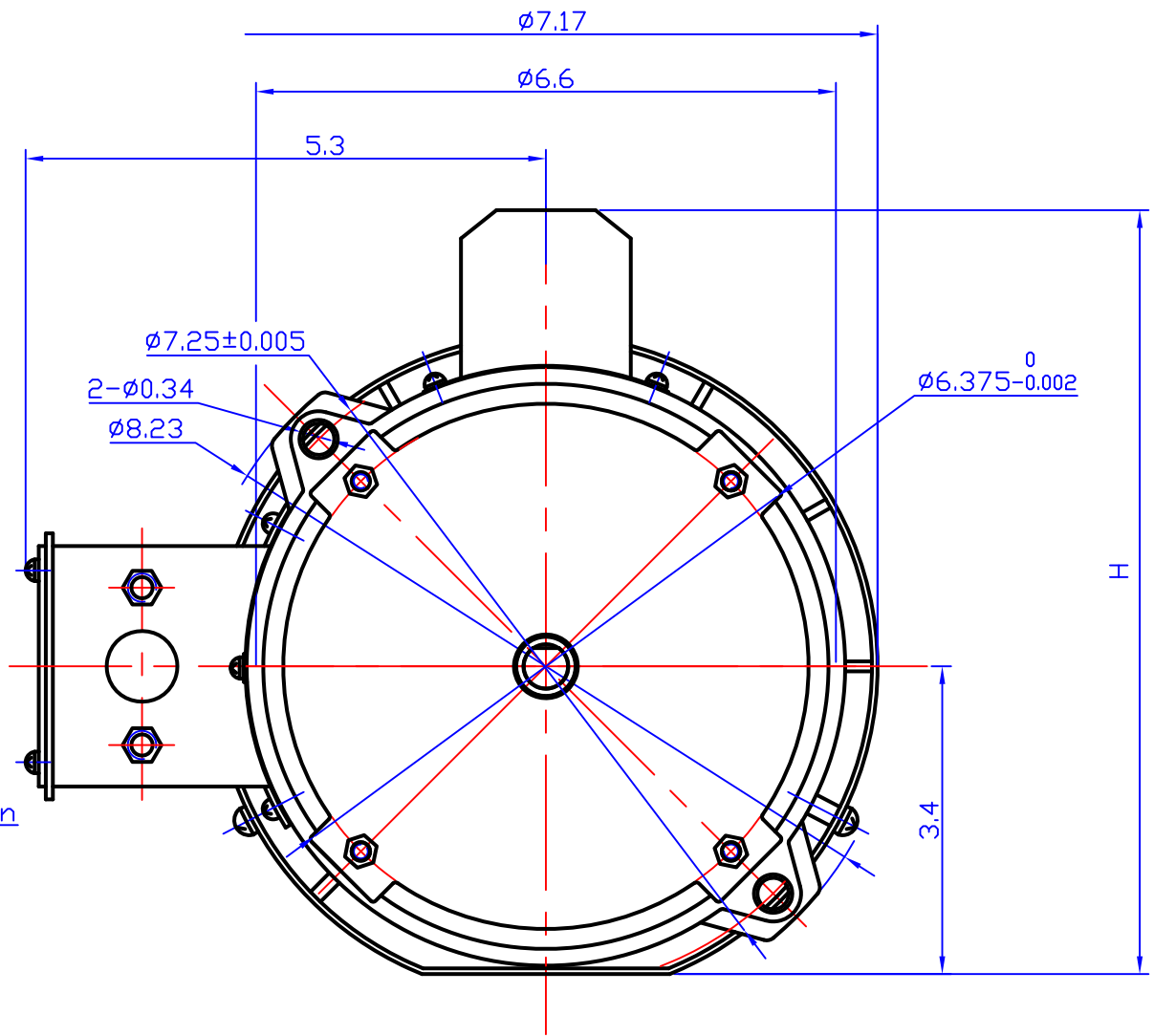
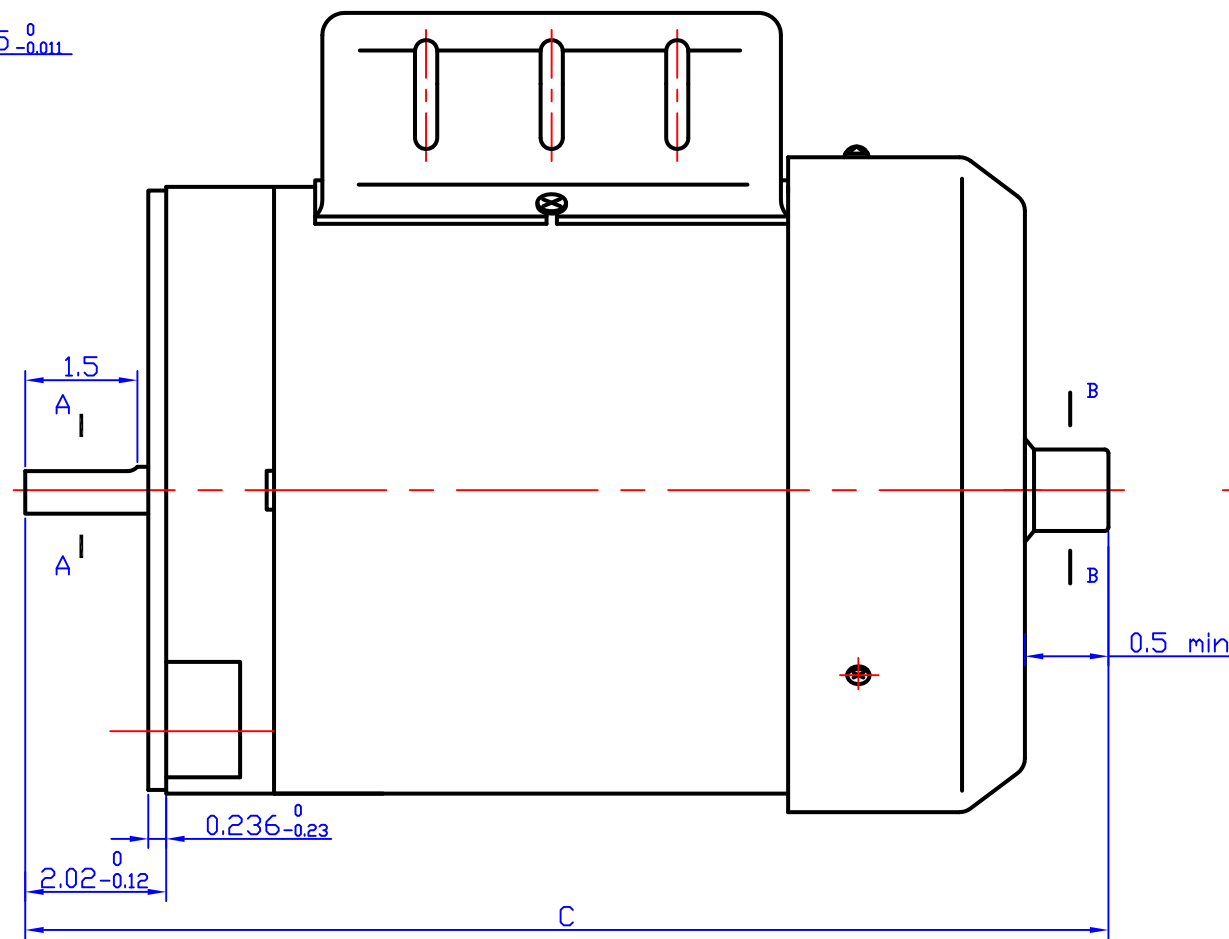
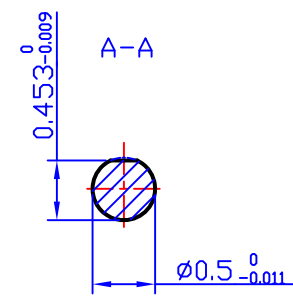
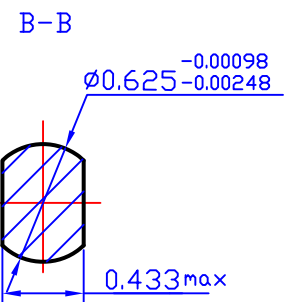


REV	ECO	REV BY	DATE	APPD	DATE



AGI REF.NO.	VOLTS	FRAME	Hz	Pole	HP	RPM	PH	THERMALLY PROTECTED	C	H
C334DF5NMAU	115/208-230	56NY	60	4	1/3	1745	1	MAN.	11.3	8.3
C054DF5NMAU	115/208-230	56NY	60	4	1/2	1745	1	MAN.		
C754DF5NMAU	115/208-230	56NY	60	4	3/4	1745	1	MAN.	11.9	8.7



DR BY: Candy
APPD:
FIRST ANGLE PROJECTION
EDS DATE
VERSION
CONFIDENTIAL PROPERTY OF GW ELECTRIC (SHANGHAI) CORPORATION AND ARE NOT TO BE DISCLOSED, DUPLICATED, OR OTHERWISE USED WITHOUT THE WRITTEN CONSENT OF GW ELECTRIC (SHANGHAI) CORPORATION, OR ITS AGENT, AG-I MOTORTEC INC. - ALL RIGHTS RESERVED



AG-I MOTORTEC INC.,

DESCRIPTION
C291, C292, C293

SIZE A3 DWG NO
SCALE 1:2 SHEET