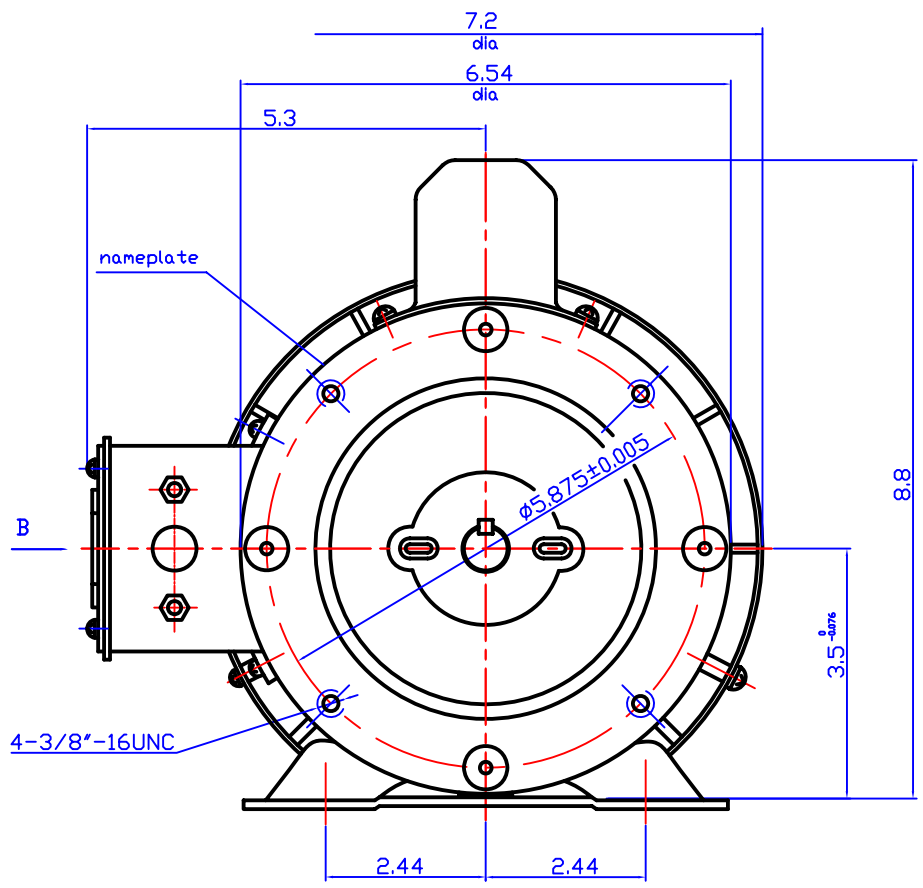
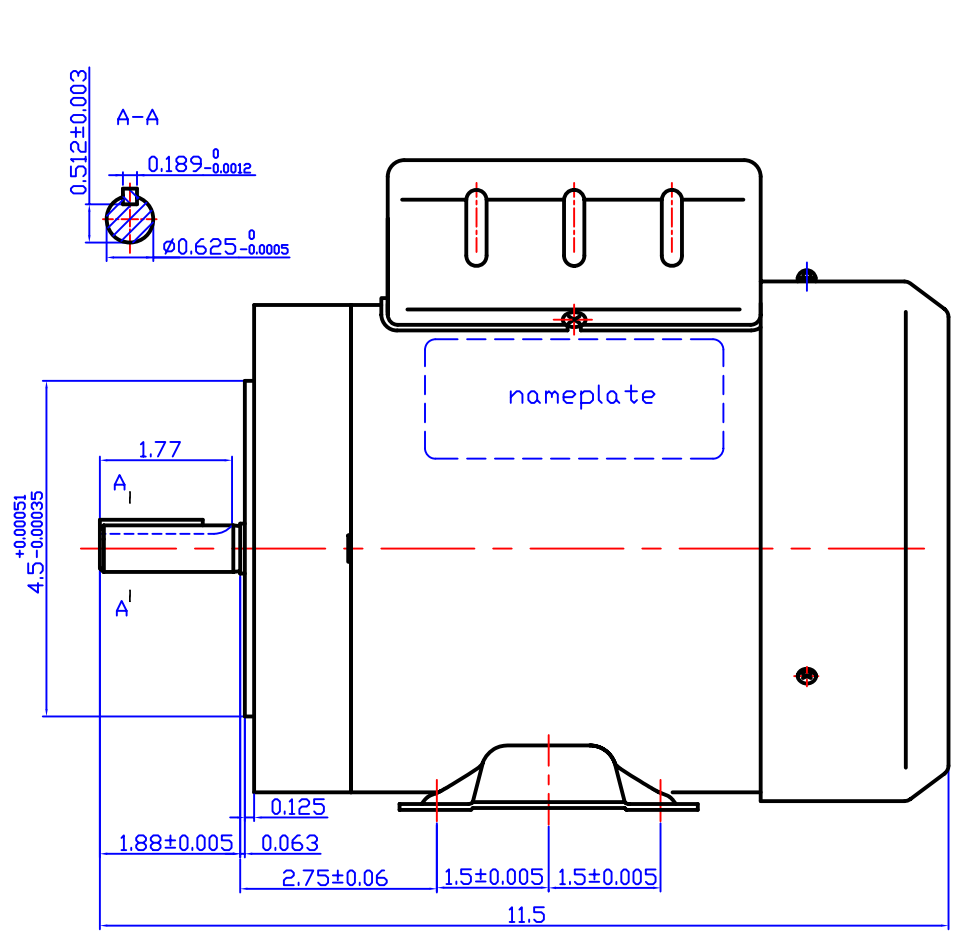
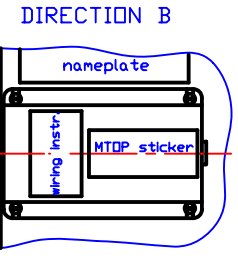
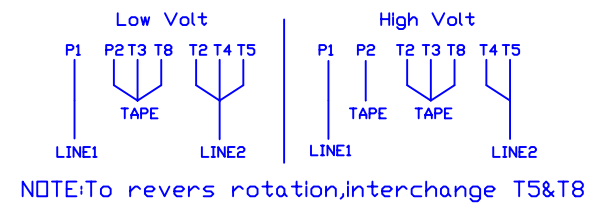



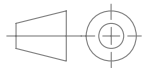
REV	ECO	REV BY	DATE	APPD	DATE



wiring diagram



AGI REF#	FRAME	PH	HP	Hz	Pole	Volt	thermal protector	RPM	C	□
C087C	56C	1	3/4	60	4	115/208-230	CEJ63CA	1725	11.5	8.8

DR BY:	Candy	 AG-I MOTORTEC INC. ,
APPD:		
FIRST ANGLE PROJECTION 	EDS DATE VERSION	DESCRIPTION OUTLINE OF C087C
CONFIDENTIAL PROPERTY OF GW ELECTRIC (SHANGHAI) CORPORATION AND ARE NOT TO BE DISCLOSED, DUPLICATED, OR OTHERWISE USED WITHOUT THE WRITTEN CONSENT OF GW ELECTRIC (SHANGHAI) CORPORATION, OR ITS AGENT, AG-I MOTORTEC INC. - ALL RIGHTS RESERVED		SIZE A3
		DWG NO
		SCALE 1:1.5
		SHEET