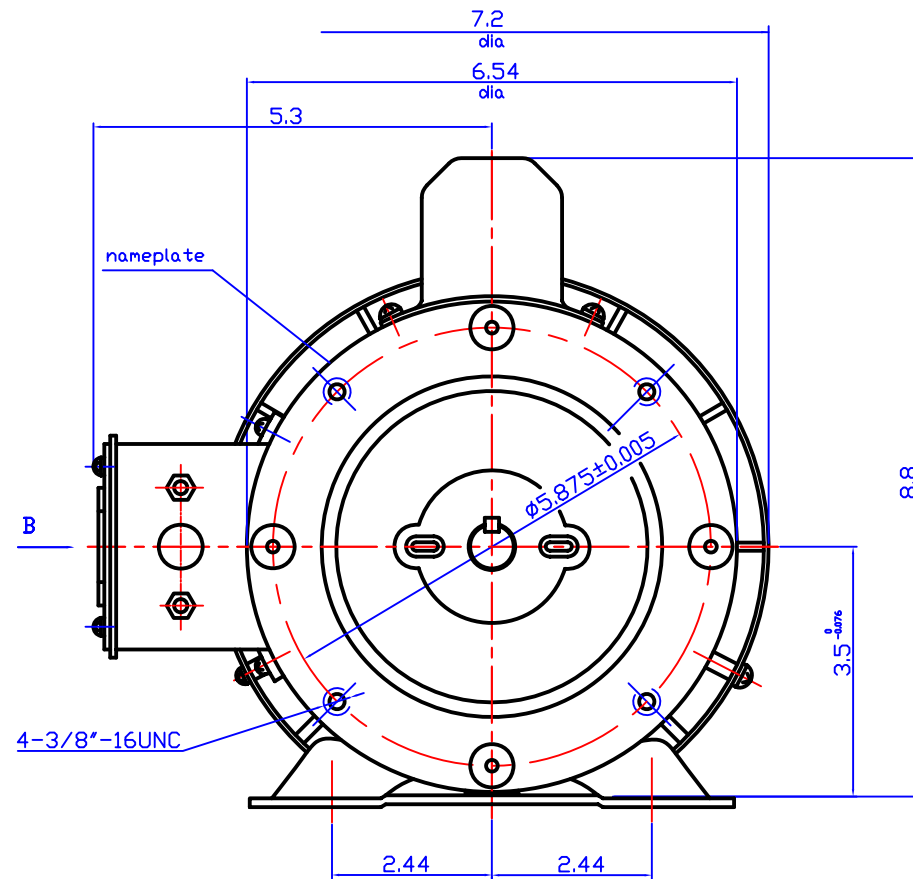
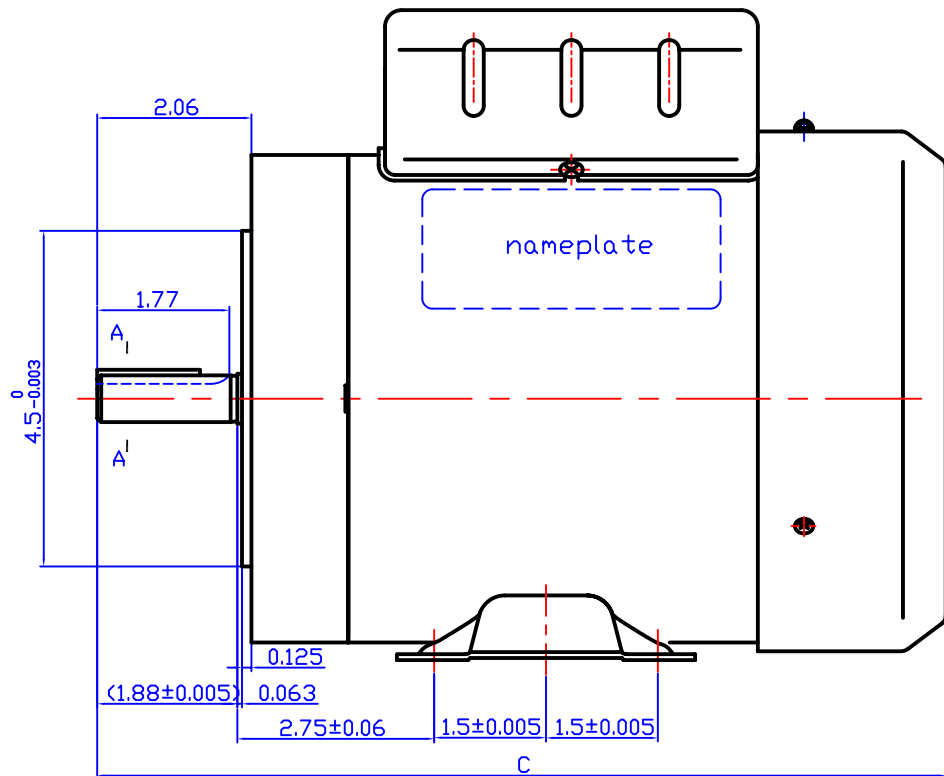
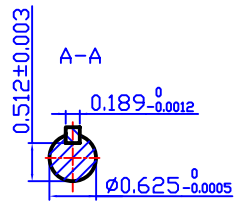
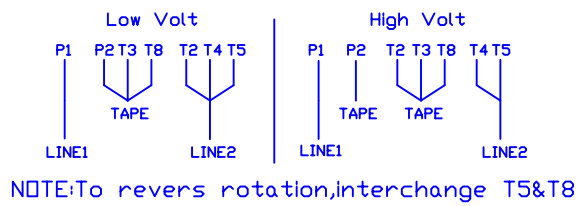


REV	ECO	REV BY	DATE	APPD	DATE

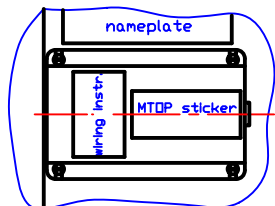


wiring diagram



AGI REF#	FRAME	PH	HP	Hz	Pole	Volt	thermal protector	RPM	C	D
C256C	56C	1	1/3	60	4	115/208-230	CED3769	1725	11.0	8.4
C086C	56C	1	1/2	60	4	115/208-230	CED4705	1725		

DIRECTION B



DR BY: Candy

APPD:

FIRST ANGLE PROJECTION

EDS DATE  
VERSION

CONFIDENTIAL PROPERTY OF GW ELECTRIC (SHANGHAI) CORPORATION AND ARE NOT TO BE DISCLOSED, DUPLICATED, OR OTHERWISE USED WITHOUT THE WRITTEN CONSENT OF GW ELECTRIC (SHANGHAI) CORPORATION, OR ITS AGENT, AG-I MOTORTEC INC. - ALL RIGHTS RESERVED



AG-I MOTORTEC INC.,

DESCRIPTION

OUTLINE OF C256C & C086C

SIZE DWG NO

SCALE 1:1.5

SHEET