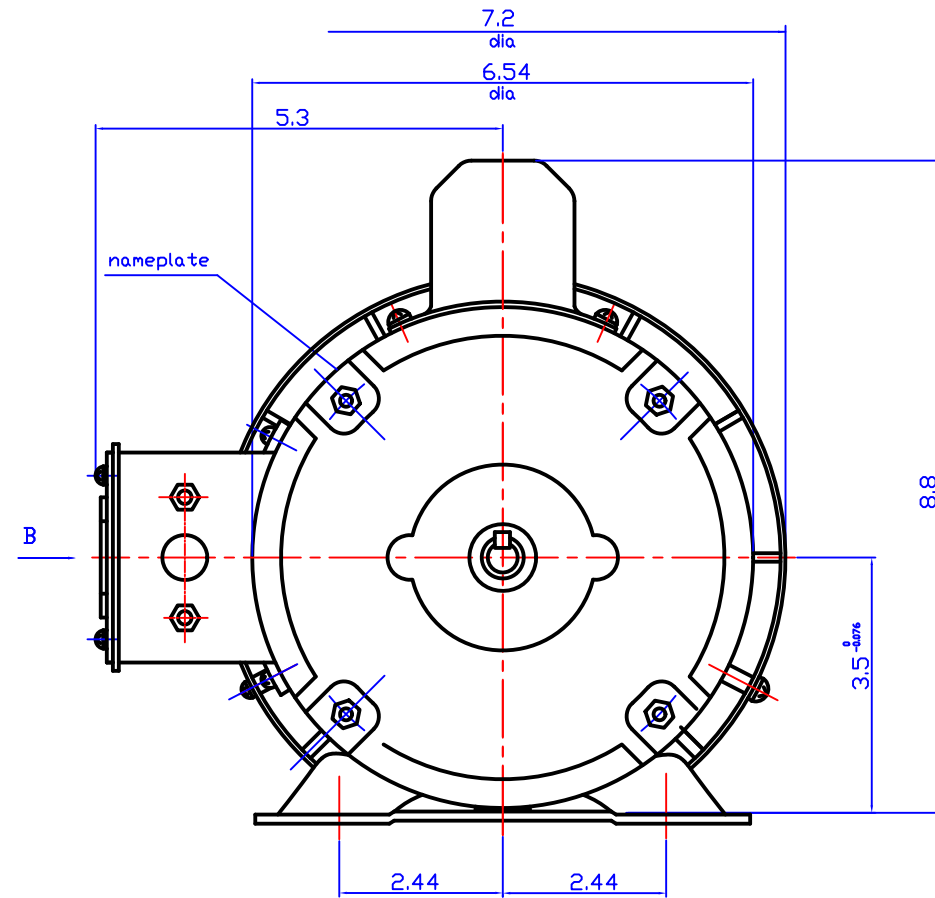
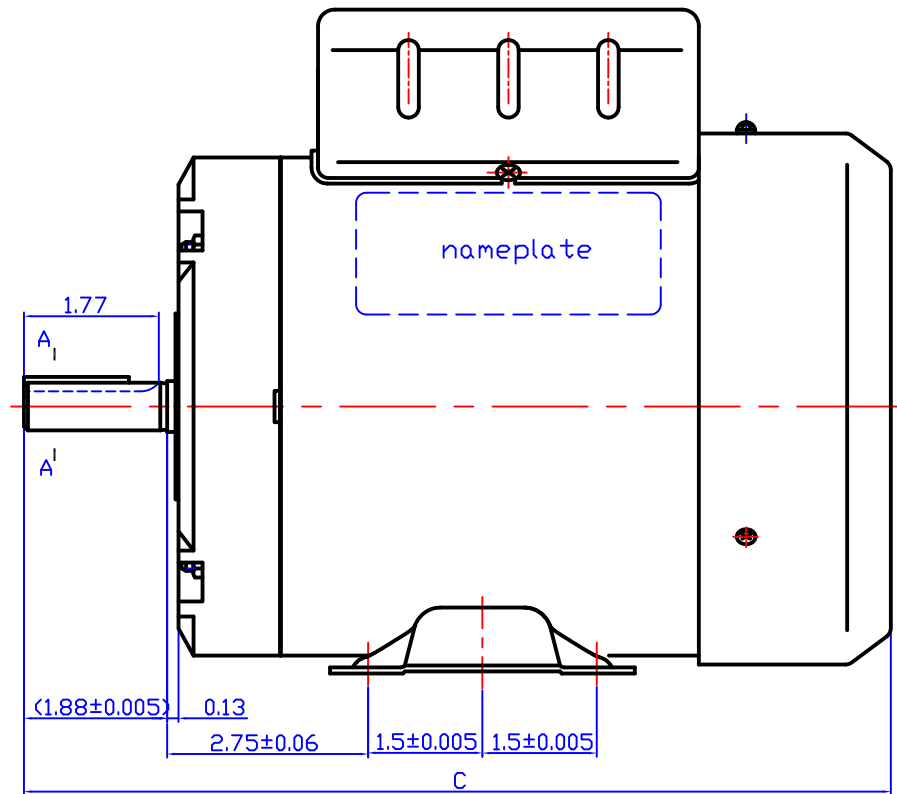
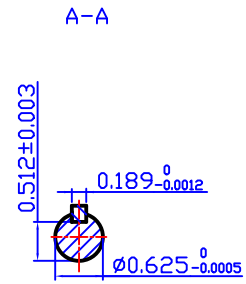
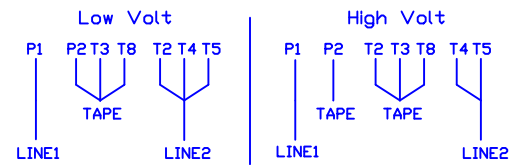


REV	ECO	REV BY	DATE	APPD	DATE



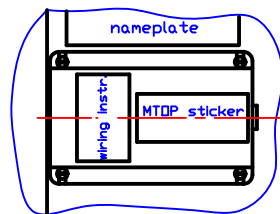
wiring diagram



NOTE: To reverse rotation, interchange T5 & T8

AGI REF#	FRAME	PH	HP	Hz	Pole	Volt	thermal protector	RPM	C	□
C256	56	1	1/3	60	4	115/208-230	CED3769	1725	11.0	8.4
C086	56	1	1/2	60	4	115/208-230	CED4705	1725		

DIRECTION B



DR BY:	Candy
APPD:	
FIRST ANGLE PROJECTION	EDS DATE 12/20/2022 VERSION

CONFIDENTIAL PROPERTY OF GW ELECTRIC (SHANGHAI) CORPORATION AND ARE NOT TO BE DISCLOSED, DUPLICATED, OR OTHERWISE USED WITHOUT THE WRITTEN CONSENT OF GW ELECTRIC (SHANGHAI) CORPORATION, OR ITS AGENT, AG-I MOTORTEC INC. - ALL RIGHTS RESERVED



AG-I MOTORTEC INC.,

DESCRIPTION

OUTLINE OF C256 & C086

SIZE DWG NO

SCALE 1:1.5

SHEET