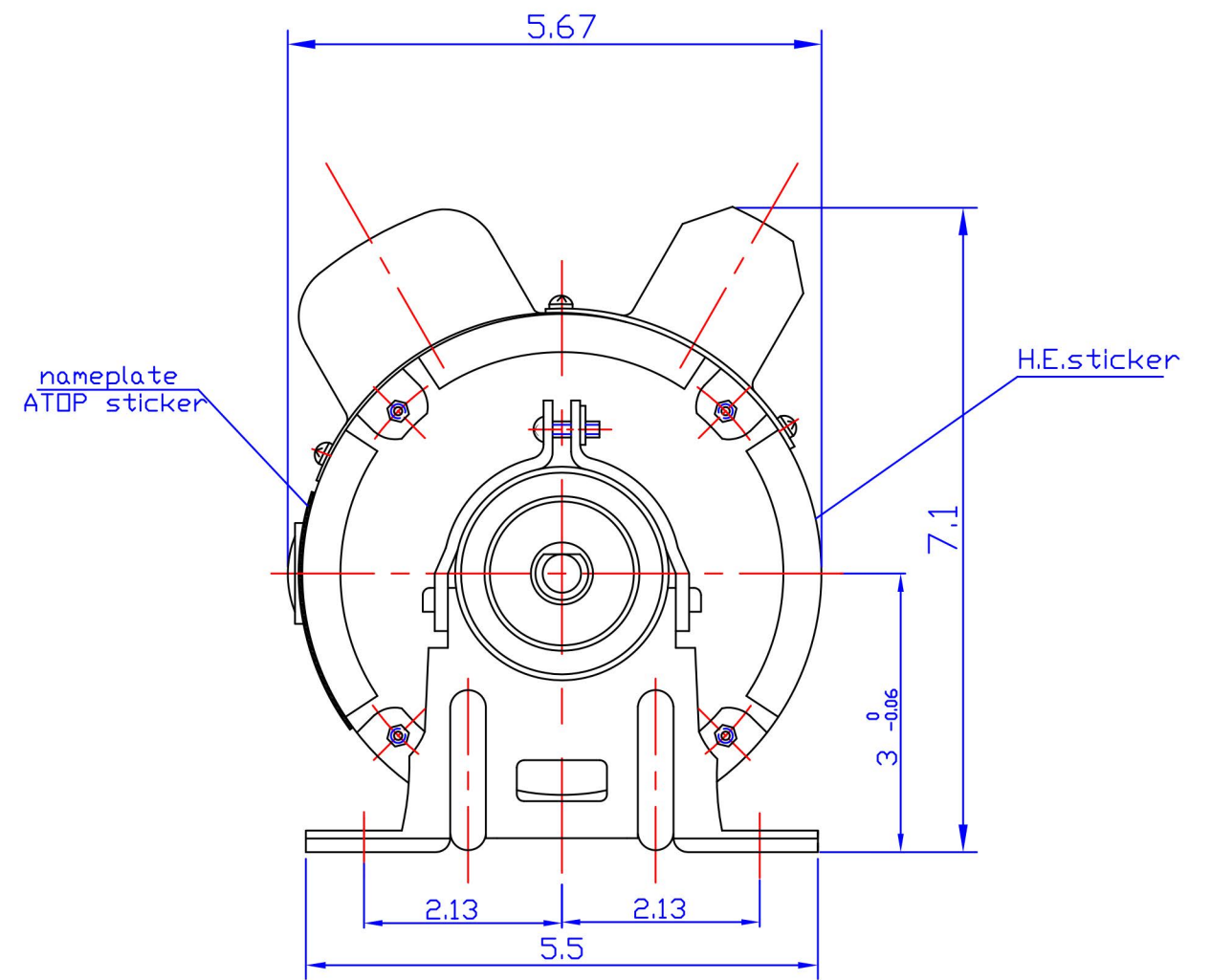
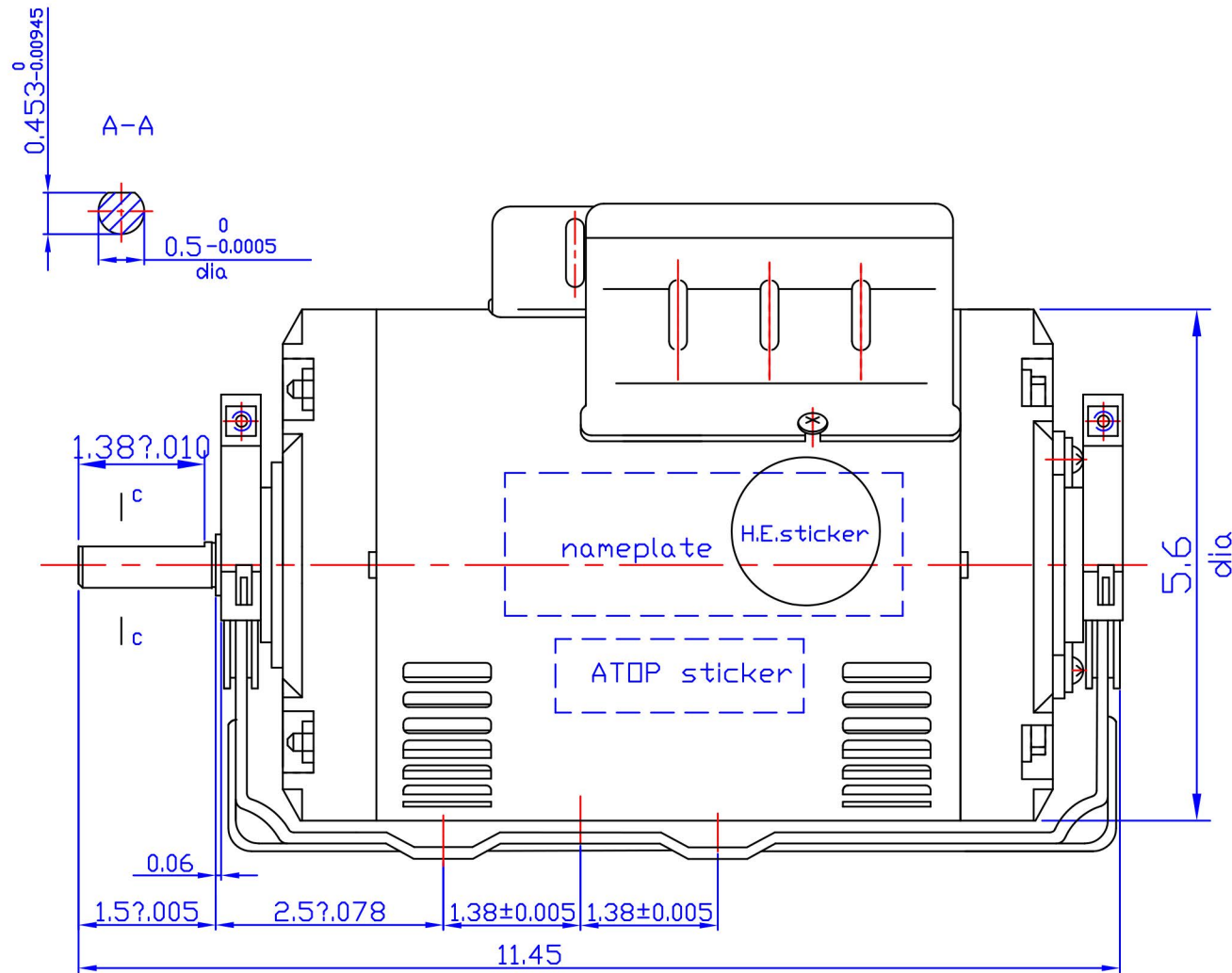




REV	ECO	REV BY	DATE	APPD	DATE



IND#	FRAME	PH	HP	Hz	Volt	thermal protector
B585	48	1	1/2	60	115	MEJ28RX

DR BY:	Candy		<b>AG-I MOTORTEC INC. ,</b>
APPD:			
FIRST ANGLE PROJECTION 	EDS DATE	DESCRIPTION	
	VERSION	OUTLINE OF B585	
CONFIDENTIAL PROPERTY OF GW ELECTRIC (SHANGHAI) CORPORATION AND ARE NOT TO BE DISCLOSED, DUPLICATED, OR OTHERWISE USED WITHOUT THE WRITTEN CONSENT OF GW ELECTRIC (SHANGHAI) CORPORATION, OR ITS AGENT, AG-I MOTORTEC INC. - ALL RIGHTS RESERVED		SIZE	DWG NO
		A3	
		SCALE 1:1.5	
			SHEET