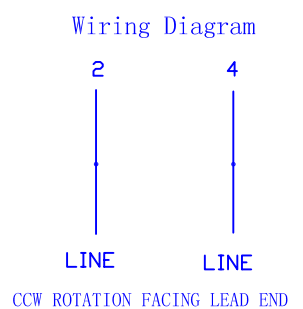
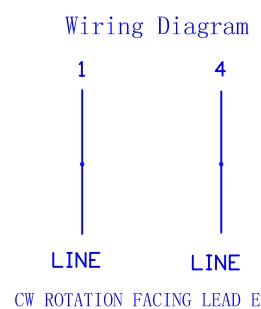
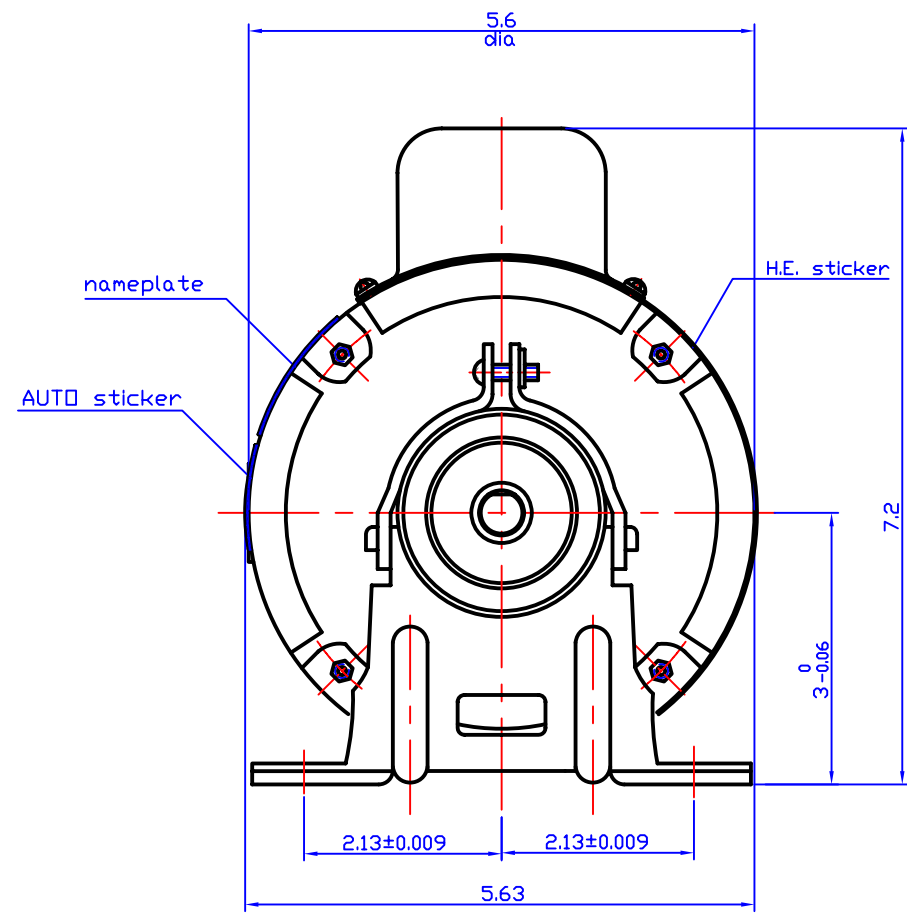
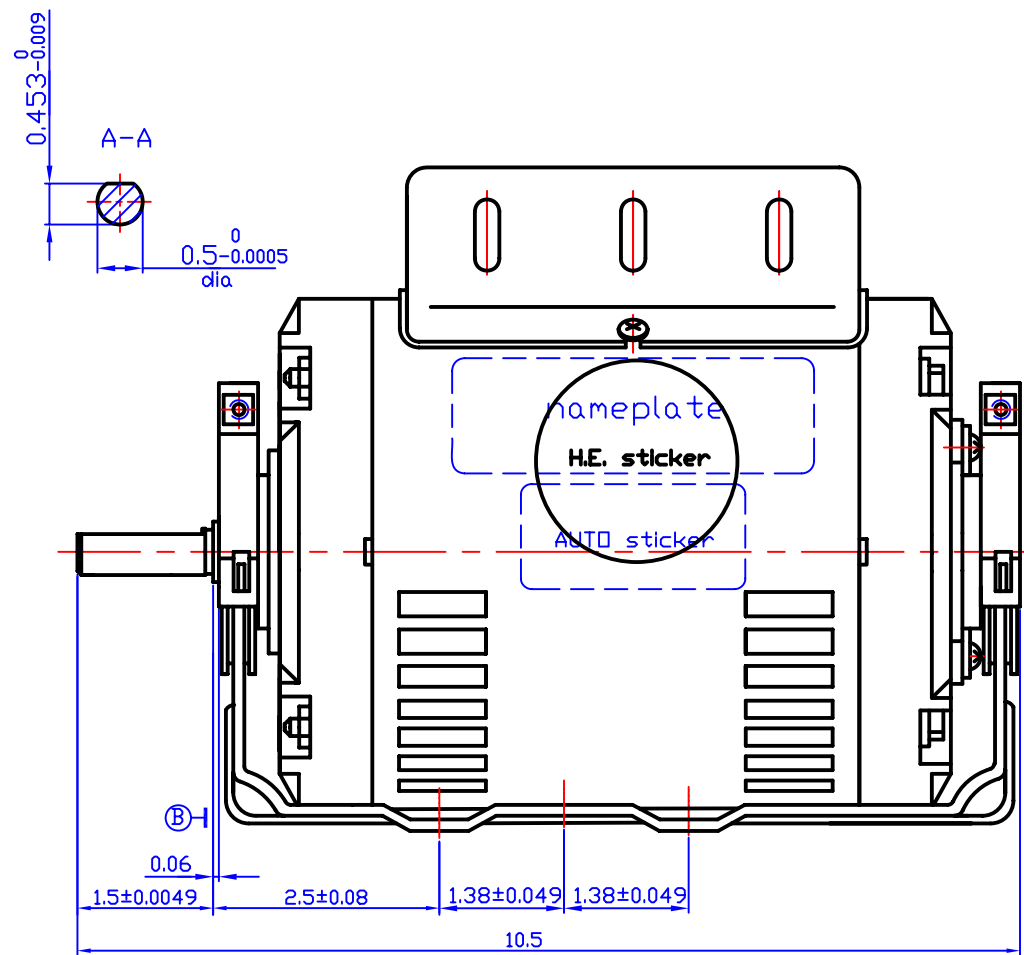


REV	ECO	REV BY	DATE	DATE



AGI REF.NO	FRAME	PH	HP	Hz	Pole	RPM	Volt	thermal protector
B405	48	1	1/3	60	4	1725	115	MEJ26RX

DR BY:


APPD:

FIRST ANGLE PROJECTION

EDS DATE

VERSION

CONFIDENTIAL: THIS DRAWING AND ITS INFORMATION ARE THE EXCLUSIVE AND CONFIDENTIAL PROPERTY OF GW ELECTRIC (SHANGHAI) CORPORATION AND ARE NOT TO BE DISCLOSED, DUPLICATED, DISTRIBUTED OR OTHERWISE USED WITHOUT THE WRITTEN CONSENT OF GW ELECTRIC (SHANGHAI) CORPORATION.
-ALL RIGHTS RESERVED.


AG-I MOTORTEC INC. ,

DESCRIPTION

B405 OUTLINE

SIZE A3 DWG NO

SCALE SHEET