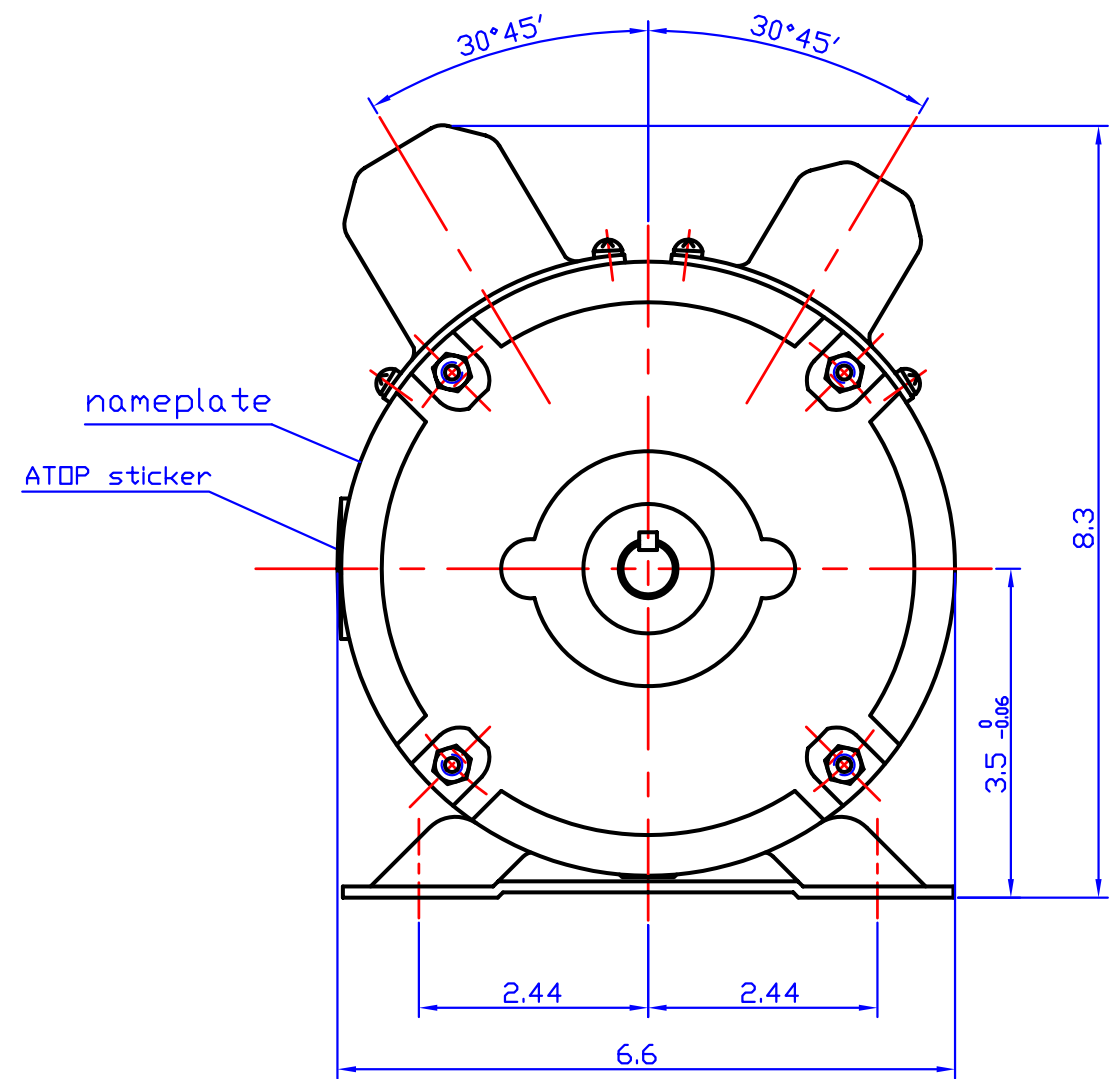
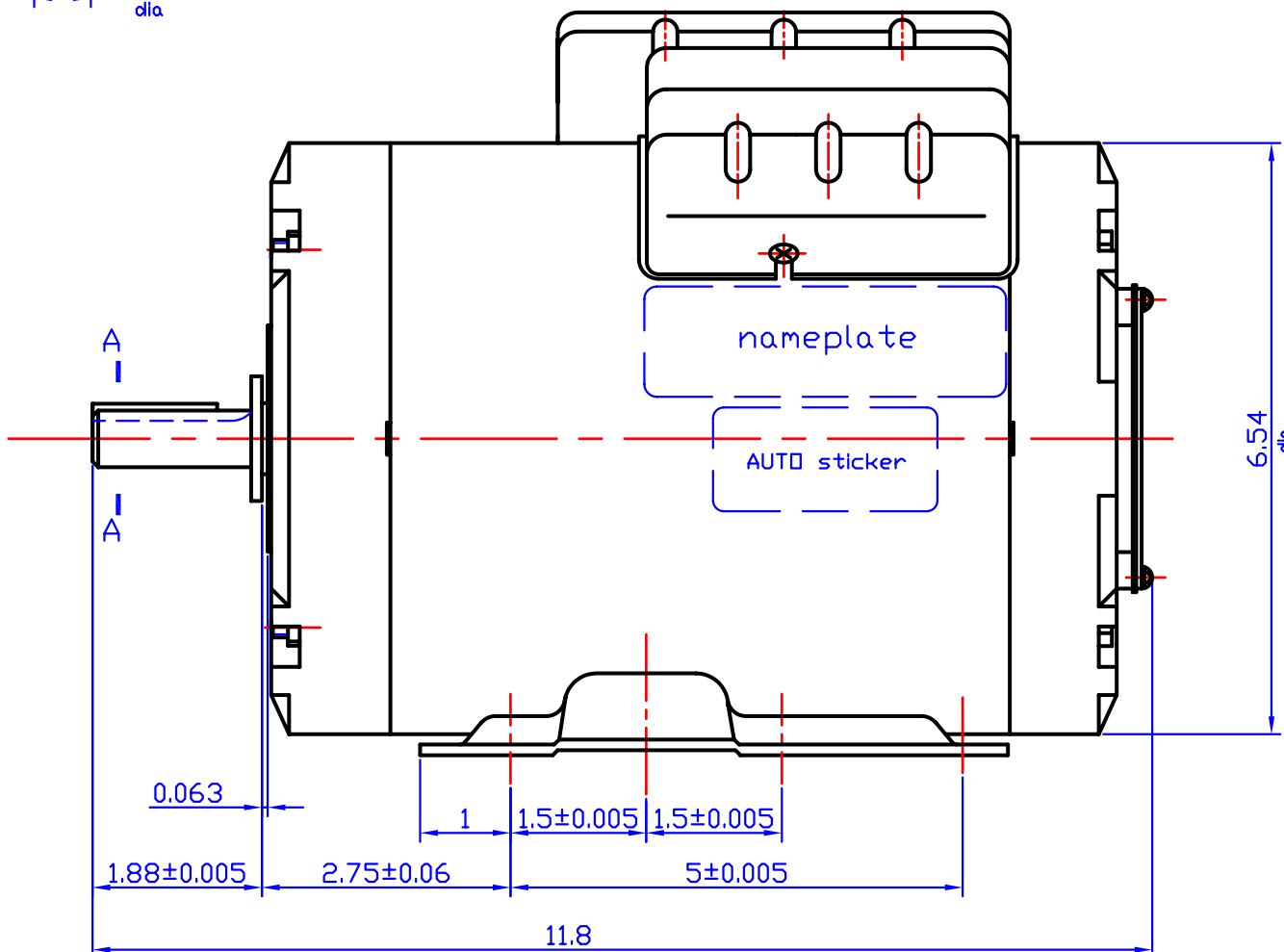
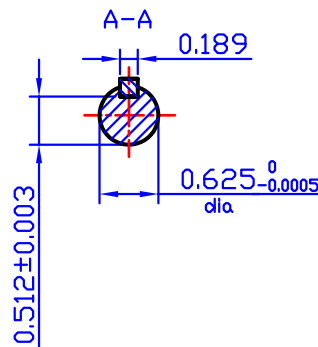
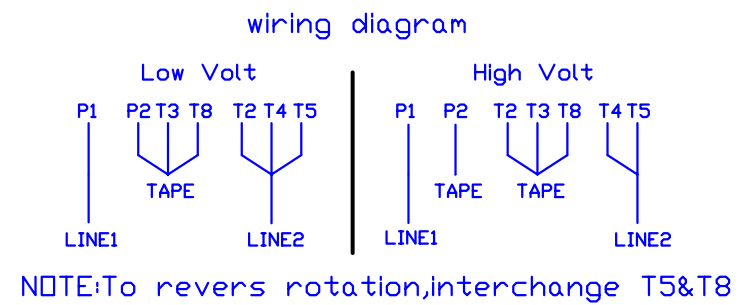


REV	ECO	REV BY	DATE	APPD	DATE
					2.27.2015



IND #	FRAME	PH	HP	Hz	Volt	thermal protector	RPM
A782	56	1	1	60	115/230	CEJ51CV	1725




DR BY: Candy

APPD:

FIRST ANGLE PROJECTION

EDS DATE
VERSION

CONFIDENTIAL PROPERTY OF GW ELECTRIC (SHANGHAI) CORPORATION AND ARE NOT TO BE DISCLOSED, DUPLICATED, OR OTHERWISE USED WITHOUT THE WRITTEN CONSENT OF GW ELECTRIC (SHANGHAI) CORPORATION, OR ITS AGENT, AG-I MOTORTEC INC. - ALL RIGHTS RESERVED



AG-I MOTORTEC INC.,

DESCRIPTION
A782 OUTLINE

SIZE A3 DWG NO

SCALE 1:2 SHEET