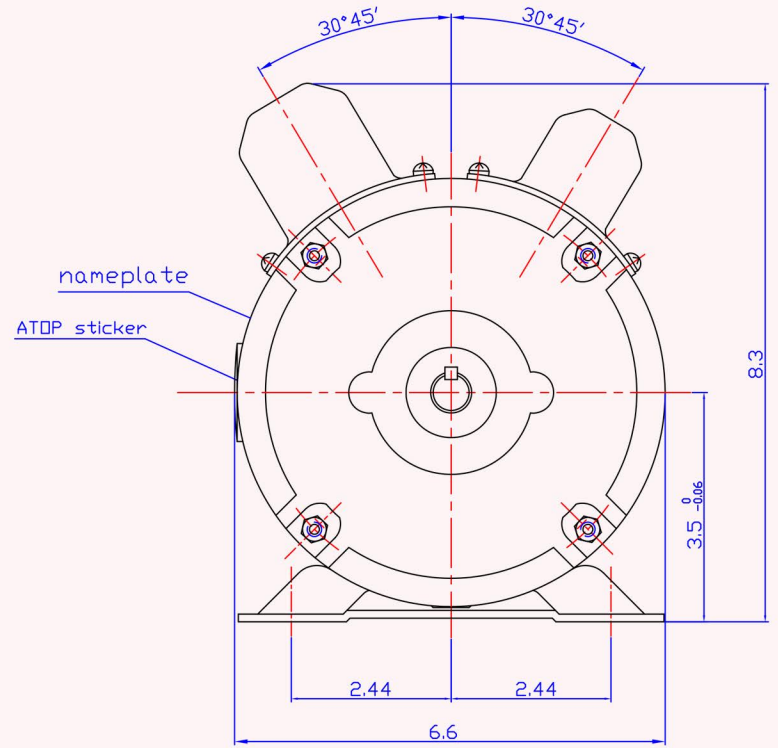
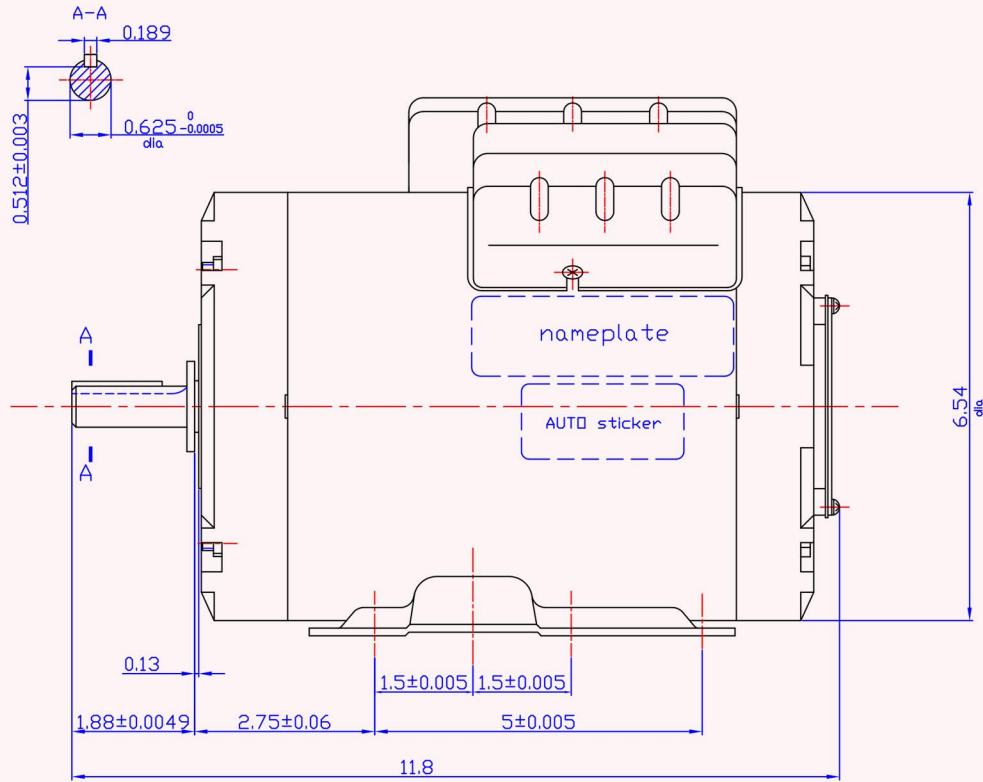
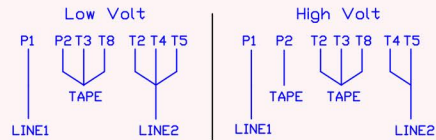


REV	ECO	REV BY	DATE	APPD	DATE



wiring diagram



NOTE: To reverse rotation, interchange T5 & T8

AGI#	FRAME	PH	HP	Hz	Pole	Volt	RPM	thermal protector
A712	56	1	1	60	2P	115	3450	Auto

DR BY:			AG-I MOTORTEC INC.,
APPD:			
FIRST ANGLE PROJECTION	EDS DATE VERSION	DESCRIPTION AGI-065	
CONFIDENTIAL PROPERTY OF GW ELECTRIC (SHANGHAI) CORPORATION AND ARE NOT TO BE DISCLOSED, DUPLICATED, OR OTHERWISE USED WITHOUT THE WRITTEN CONSENT OF GW ELECTRIC (SHANGHAI) CORPORATION, OR ITS AGENT, AG-I MOTORTEC INC. - ALL RIGHTS RESERVED		SIZE A3	DWG NO
		SCALE 1:2	SHEET