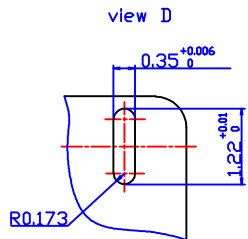
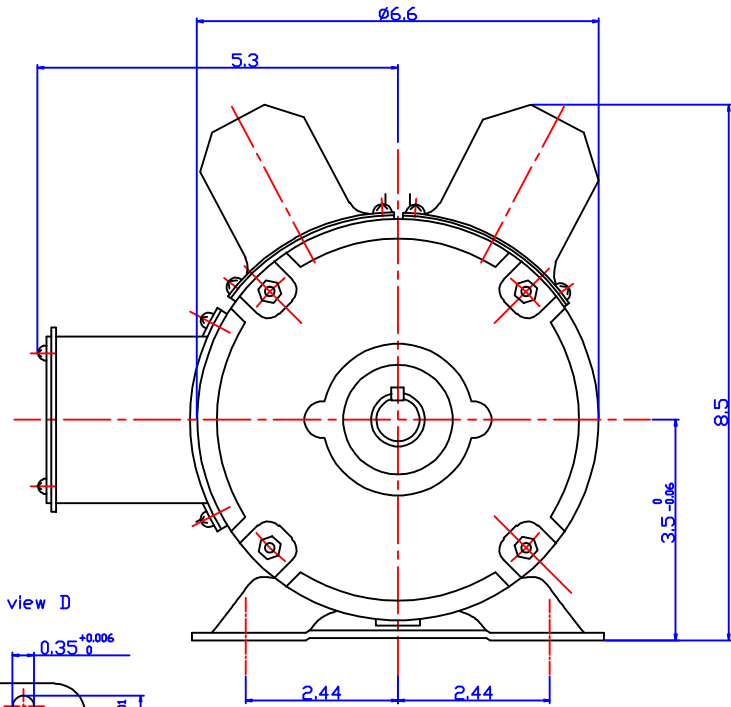
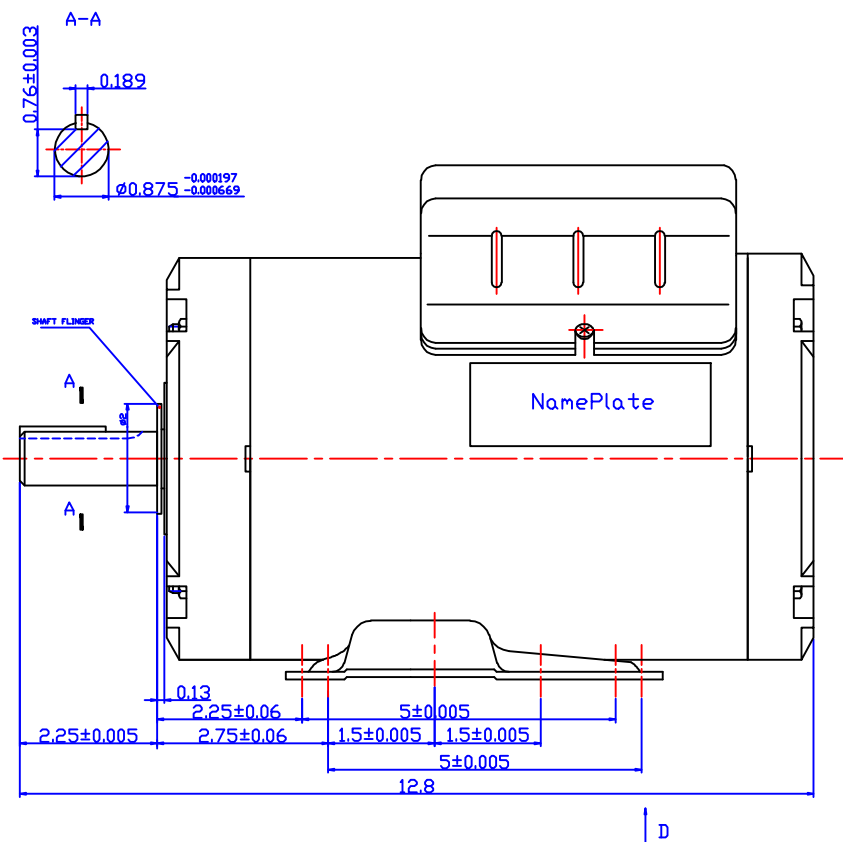


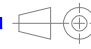
REV	ECO	REV BY	DATE	APPD	DATE



AGI IND#	FRAME	PH	HP	Hz	Volt	thermal protector	rotation
A595	145T	1	2	60	230	CEJ38CY	CCWLE

DR BY:

APPD:

FIRST ANGLE PROJECTION  EDS DATE
VERSION

CONFIDENTIAL: THIS DRAWING AND ITS INFORMATION ARE THE EXCLUSIVE AND CONFIDENTIAL PROPERTY OF QIN ELECTRICAL (SHANGHAI) CORPORATION AND ARE NOT TO BE DISCLOSED, DUPLICATED, DISTRIBUTED OR OTHERWISE USED WITHOUT THE WRITTEN CONSENT OF QIN ELECTRICAL (SHANGHAI) CORPORATION.
-ALL RIGHTS RESERVED.



AG-1 MOTORTEC INC.

DESCRIPTION	
A595 OUTLINE DRAWING	
SIZE	DWG NO
A3	
SCALE	SHEET