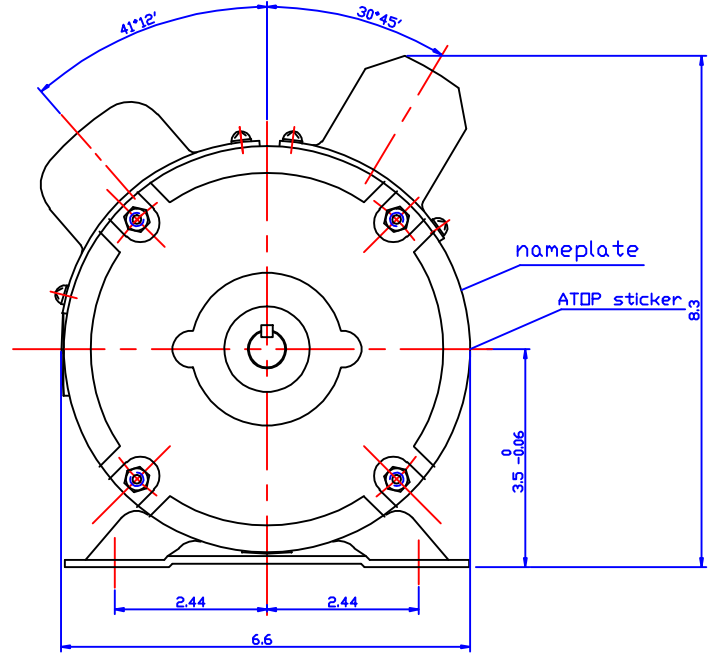
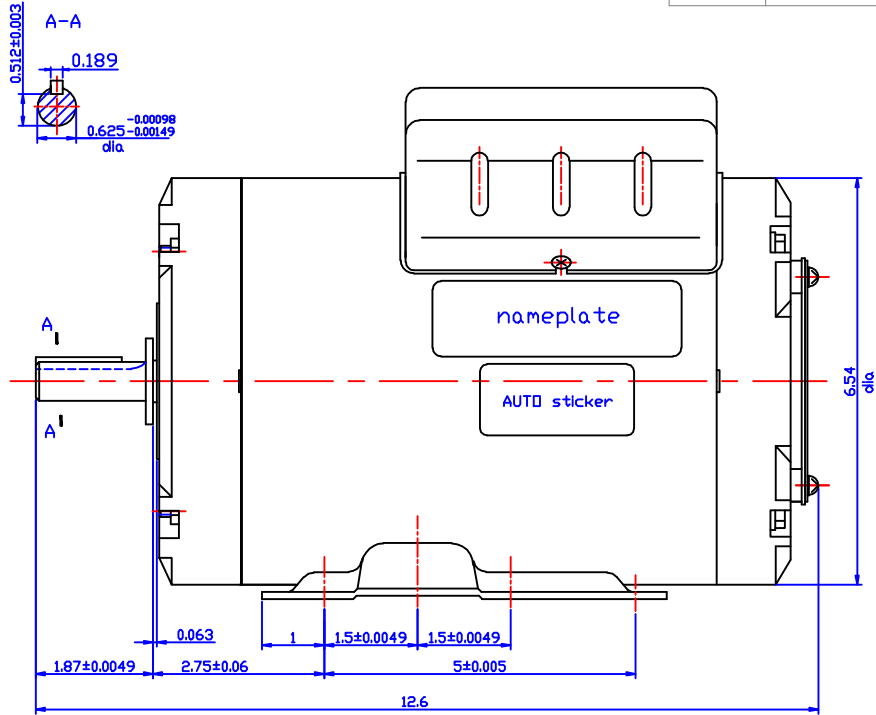

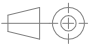


| REV | ECO | REV BY | DATE | APPD | DATE |
|-----|-----|--------|------|------|------|
| | | | | | |



| AGI IND#. | FRAME | PH | HP | Hz | Pole | Volt | RPM | thermal protector |
|-----------|-------|----|-----|----|------|---------|------|-------------------|
| A594 | 56 | 1 | 1.5 | 60 | 4 | 115/230 | 1725 | CEJ38CY |

| | | |
|---|---|--|
| DR BY: | |  AG-1 MOTORTEC INC., |
| APPD: | | |
| FIRST ANGLE PROJECTION |  | DESCRIPTION |
| EDS DATE | VERSION | A594 OUTLINE DRAWING |
| <small>CONFIDENTIAL: THIS DRAWING AND ITS INFORMATION ARE THE EXCLUSIVE AND CONFIDENTIAL PROPERTY OF QIN ELECTRICAL (SHANGHAI) CORPORATION AND ARE NOT TO BE DISCLOSED, DUPLICATED, DISTRIBUTED OR OTHERWISE USED WITHOUT THE WRITTEN CONSENT OF QIN ELECTRICAL (SHANGHAI) CORPORATION. -ALL RIGHTS RESERVED.</small> | | |
| SIZE | A3 | DWG NO |
| SCALE | | SHEET |