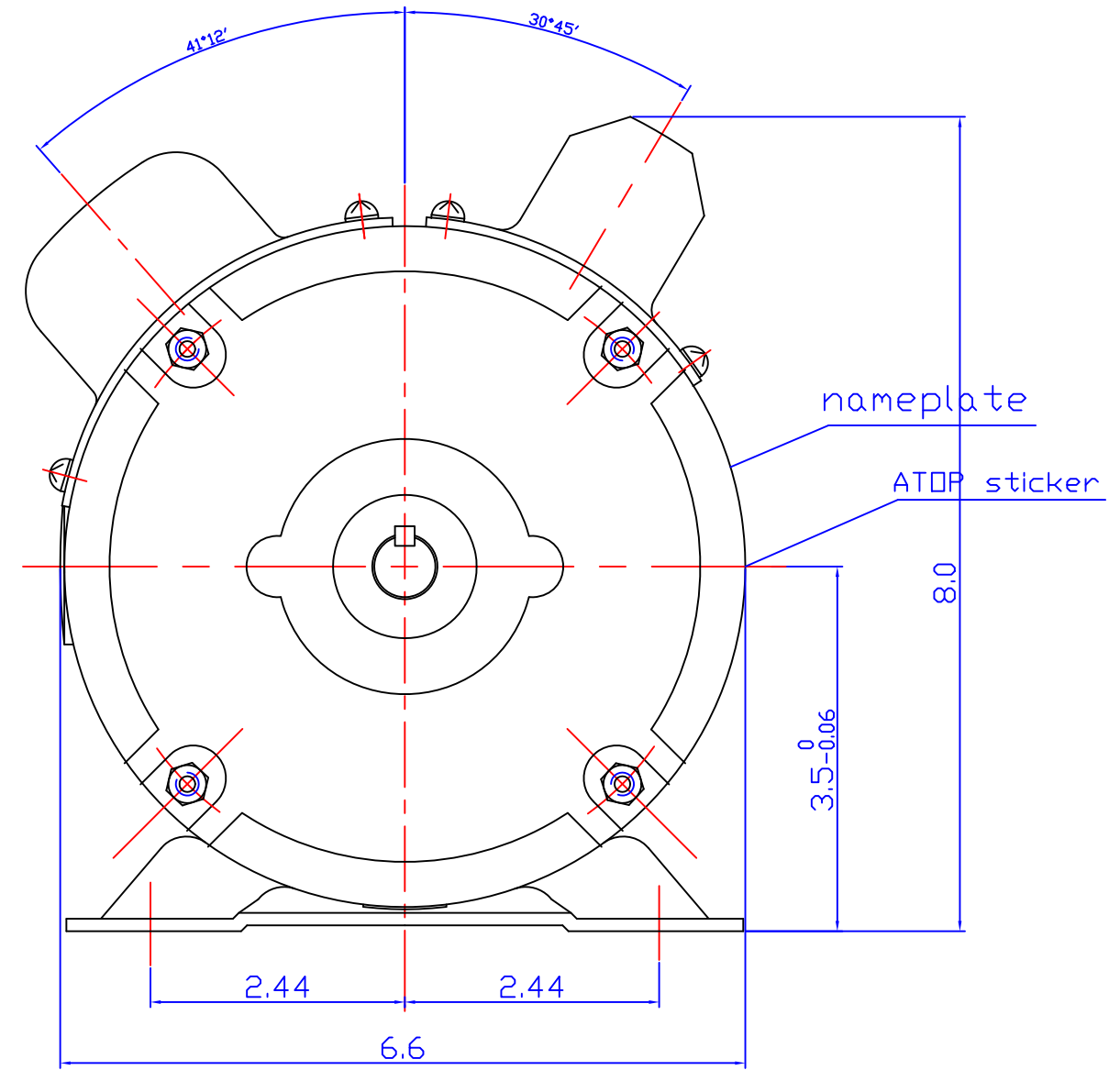
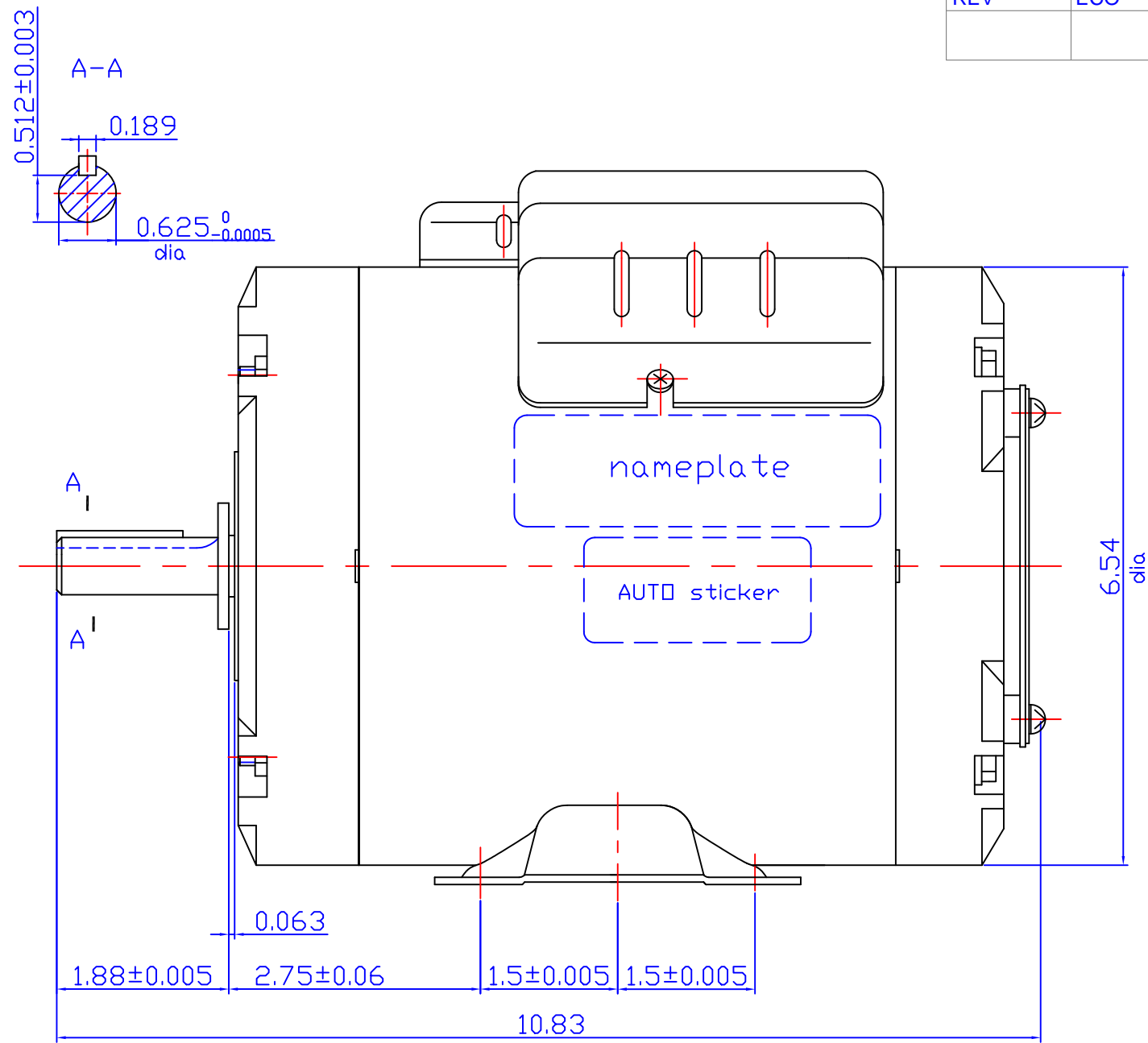
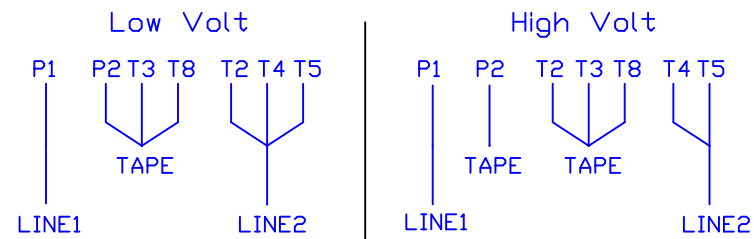


REV	ECO	REV BY	DATE	APPD	DATE



wiring diagram



NOTE: To reverse rotation, interchange T5 & T8

IND#	FRAME	PH	Pole	HP	RPM	Hz	Volt	thermal protector
A581	56	1	4	3/4	1725	60	115/230	CEJ63CV

DR BY:

APPD:

FIRST ANGLE PROJECTION



EDS DATE  
VERSION

CONFIDENTIAL: THIS DRAWING AND ITS INFORMATION ARE THE EXCLUSIVE AND CONFIDENTIAL PROPERTY OF GW ELECTRICAL (SHANGHAI) CORPORATION AND ARE NOT TO BE DISCLOSED, DUPLICATED, DISTRIBUTED OR OTHERWISE USED WITHOUT THE WRITTEN CONSENT OF GW ELECTRICAL (SHANGHAI) CORPORATION.  
-ALL RIGHTS RESERVED.



AG-I MOTORTEC INC.,

DESCRIPTION

SIZE A3 DWG NO

SCALE

SHEET