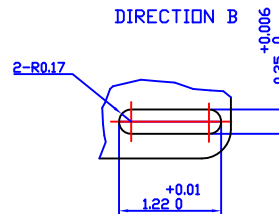
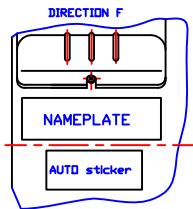
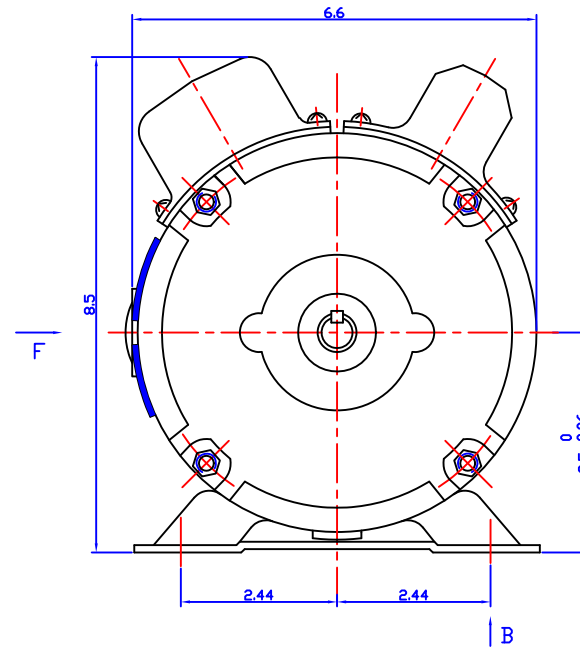
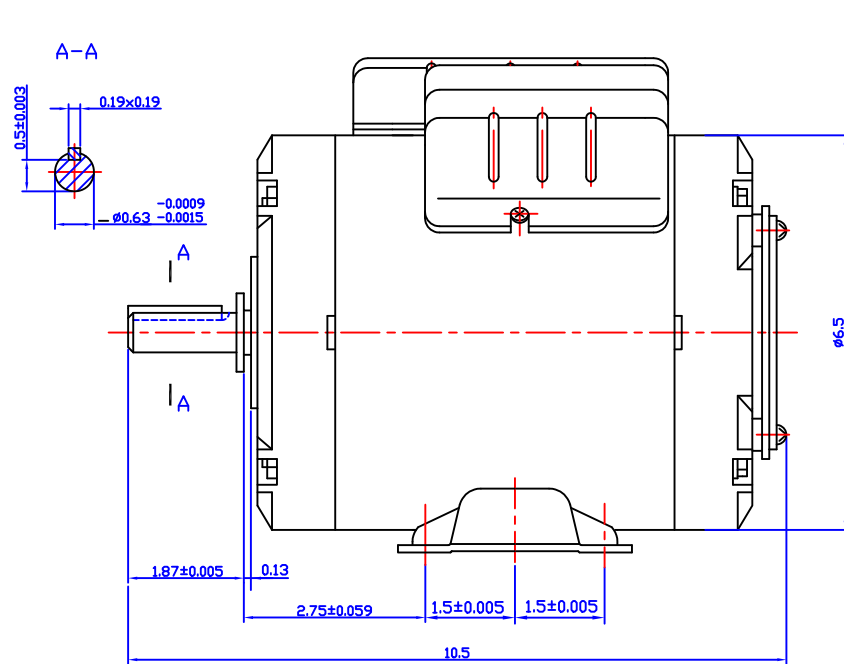
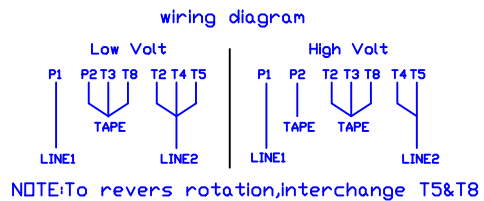


REV	ECO	REV BY	DATE	APPD	DATE



IND#	FRAME	PH	HP	Hz	Pole	Volt	RPM	thermal protector
A580	56	1	1/2	60	4	115/230	1725	MEJ57RX



DR BY:
APPD:



AG-I MOTORTEC INC.,

FIRST ANGLE PROJECTION



EDS DATE
VERSION

DESCRIPTION

A580 A054DA5BA00

CONFIDENTIAL PROPERTY OF GW ELECTRIC (SHANGHAI) CORPORATION AND ARE NOT TO BE DISCLOSED, DUPLICATED, OR OTHERWISE USED WITHOUT THE WRITTEN CONSENT OF GW ELECTRIC (SHANGHAI) CORPORATION, OR ITS AGENT, AG-I MOTORTEC INC. - ALL RIGHTS RESERVED

SIZE DWG NO

A3

SCALE 1:2

SHEET